



582400

Illustrated Parts List

Model Series

582400
950cc
DIESEL

TYPE NUMBERS

0105, 0125, 0130, 0131, 0205, 0209, 0211,
0219, 0221, 0222, 0224, 0225, 0229, 0230,
0231, 0232, 0233, 0235, 0376, 0377, 0381.

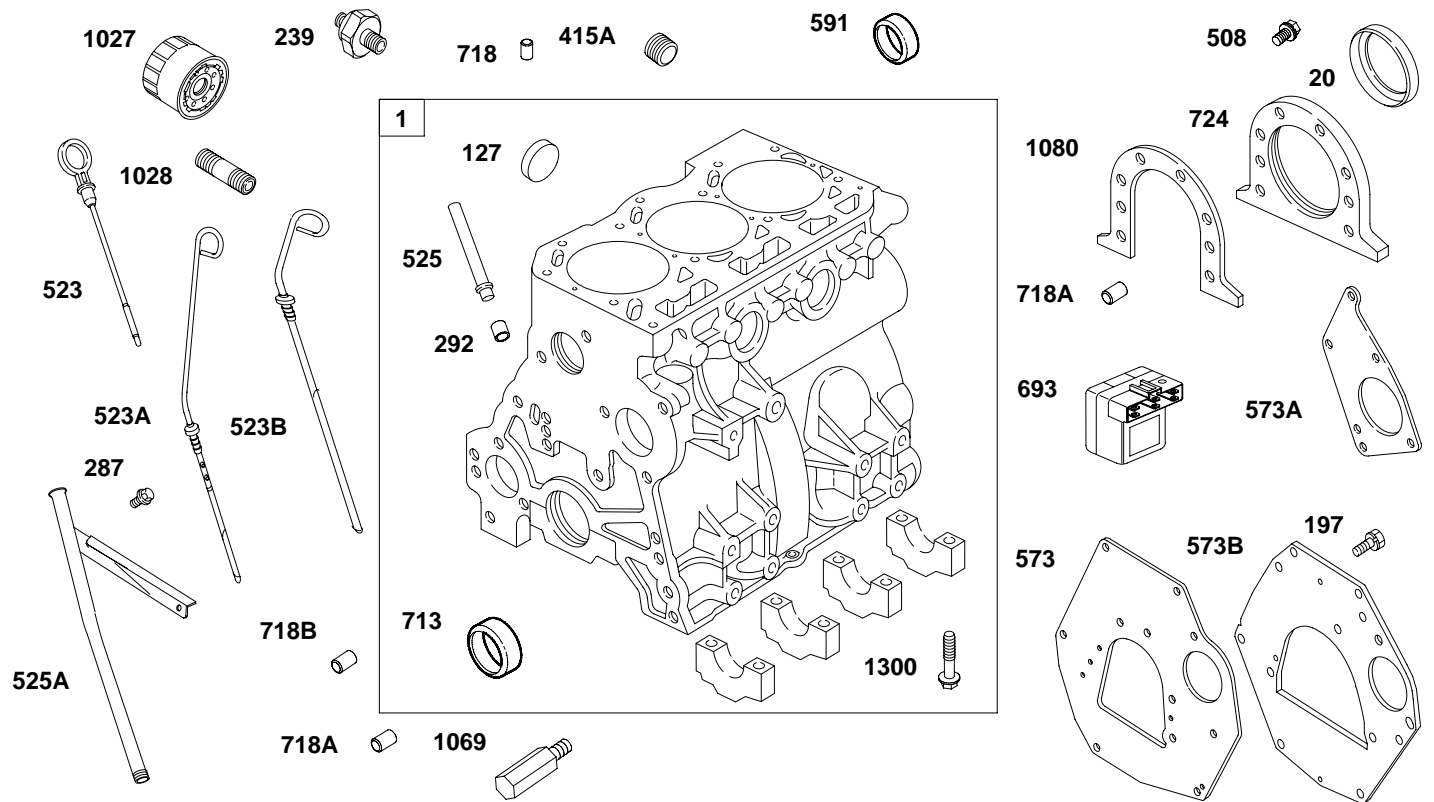
REFER TO REPAIR MANUAL MS1055 FOR ASSEMBLY AND TORQUE REQUIREMENTS.

PRINTED IN U.S.A.



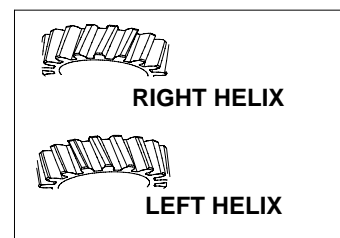
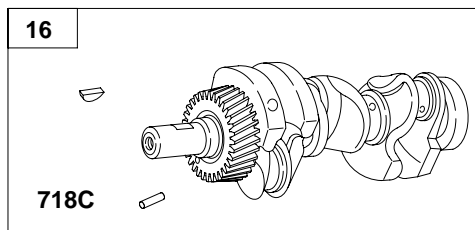
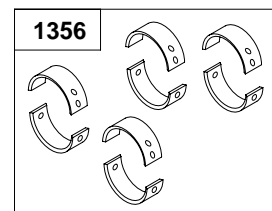
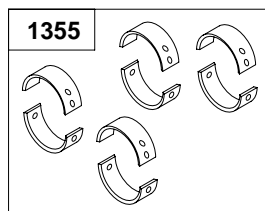
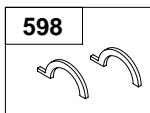
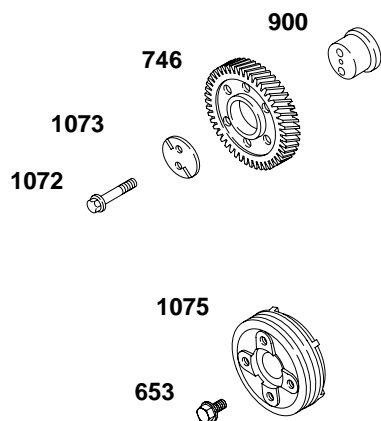
COPYRIGHT by BRIGGS & STRATTON DAIHATSU LLC
All rights reserved. No part of this material may be reproduced or transmitted,
in any form or by any means, electronic or mechanical, including photocopying,
recording or by any information storage and retrieval system, without permission
in writing from Briggs & Stratton DAIHATSU LLC.

582400



| REF. NO. | PART NO. | DESCRIPTION | REF. NO. | PART NO. | DESCRIPTION | REF. NO. | PART NO. | DESCRIPTION |
|----------|----------|--|----------|----------|--|----------|----------|--------------------------------------|
| 1 | 825597 | Cylinder Assembly (Used After Code Date 99063000). (9mm Head Bolts) ----- Note ----- 825597 Cylinder Assembly (9mm Head Bolts) (Used After Code Date 98123100 and Before Code Date 99070100). Used on Type No(s). 0105, 0125, 0130, 0131, 0205, 0225, 0230, 0231. | 20 | 821073 | Seal-Oil (PTO Side) | 525 | 820144 | Tube-Dipstick |
| | | | 127 | 820004 | Plug-Welch | 525A | 820666 | Tube-Dipstick |
| | | | 197 | 820176 | Screw (Back Plate) | 573 | 820170 | Plate-Back |
| | | | 239 | 821135 | Switch-Oil Pressure | 573A | 820147 | Plate-Back |
| | | | 287 | 820273 | Screw (Dipstick Tube) | 573B | 820917 | Plate-Back |
| | | | 292 | 820662 | Collar-Dipstick Tube | 591 | 821069 | Plug-Camshaft |
| | | | 415A | 820375 | Plug (Cylinder) | 693 | 820373 | Module-Pre Heat |
| | | | 508 | 820031 | Screw (Seal Retainer) | 713 | 821299 | Bushing-Camshaft |
| | | | 523 | 821158 | Dipstick | 718 | 820063 | Pin-Locating |
| | | | 523A | 820572 | Dipstick Used on Type No(s). 0125, 0222, 0232, 0376. | 718A | 820062 | Pin-Locating |
| | | | 523B | 820643 | Dipstick Used on Type No(s). 0233, 0377. ----- Note ----- 821224 Dipstick Used on Type No(s). 0381. | 718B | 820061 | Pin-Locating |
| | | | | | | 724 | 820146 | Retainer-Seal |
| | | | | | | 1027 | 820314 | Filter-Oil |
| | | | | | | 1028 | 820851 | Adapter-Oil Filter |
| | | | | | | 1069 | 820102 | Nozzle-Oil |
| | | | | | | 1080 | 820145 | Gasket-Seal Retainer |
| | | | | | | 1300 | 820042 | Screw (Crankshaft Bearing Cap) |

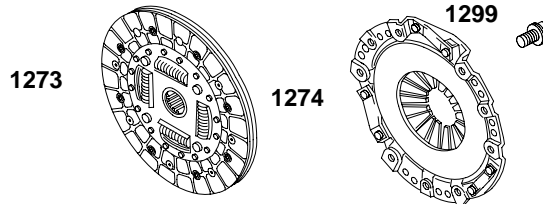
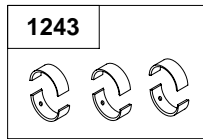
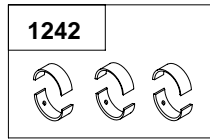
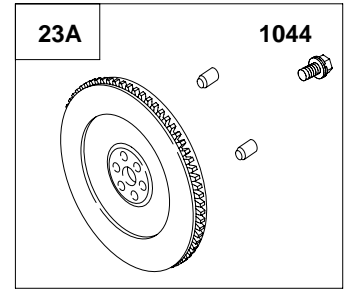
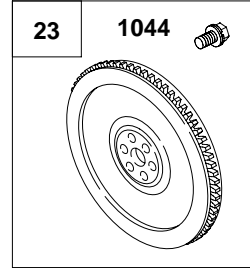
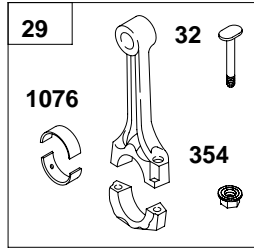
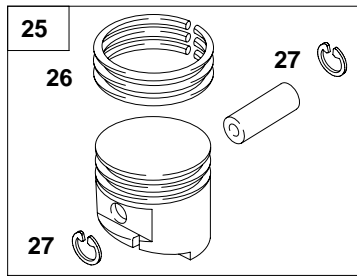
Engine Gasket Set - Reference 358
Valve Gasket Set - Reference 1095



| REF. NO. | PART NO. | DESCRIPTION | REF. NO. | PART NO. | DESCRIPTION | REF. NO. | PART NO. | DESCRIPTION |
|----------|----------|--|----------|----------|---|----------|----------|--|
| 16 | 825552 | Crankshaft (Used After Code Date 99063000). ----- Note ----- 825552 Crankshaft (Used After Code Date 98123100 and Before Code Date 99070100). Used on Type No(s). 0105, 0125, 0130, 0131, 0205, 0230, 0231. 825193 Crankshaft (Used Before Code Date 99010100). Used on Type No(s). 0105, 0125, 0130, 0131. | 653 | 820079 | Screw (Crankshaft Pulley) | 900 | 820116 | Shaft-Gear |
| | | | 718C | 820059 | Pin-Locating | 1072 | 820081 | Screw (Idler Gear Plate) |
| | | | 746 | 820611 | Gear-Idler (Right Helix) (Used After Code Date 99063000). ----- Note ----- 820611 Gear-Idler (Right Helix) (Used After Code Date 98123100 and Before Code Date 99070100). Used on Type No(s). 0105, 0125, 0130, 0131, 0205, 0230, 0231. | 1073 | 820117 | Plate-Idler Gear |
| | | | | | | 1075 | 820236 | Pulley-Crankshaft (4 Holes) ----- Note ----- 820123 Pulley-Crankshaft (3 Holes) |
| 598 | 821295 | Shim-Endplay (Crankshaft) (Standard) ----- Note ----- 821297 Shim-Endplay (Crankshaft) (.005" Oversize) | | | 825013 Gear-Idler (Left Helix) (Used Before Code Date 99010100). Used on Type No(s). 0105, 0125, 0130, 0131. | 1355 | 825040 | Bearing Set/STD-Main |
| | | | | | | 1356 | 825039 | Bearing Set/.010"-Main |

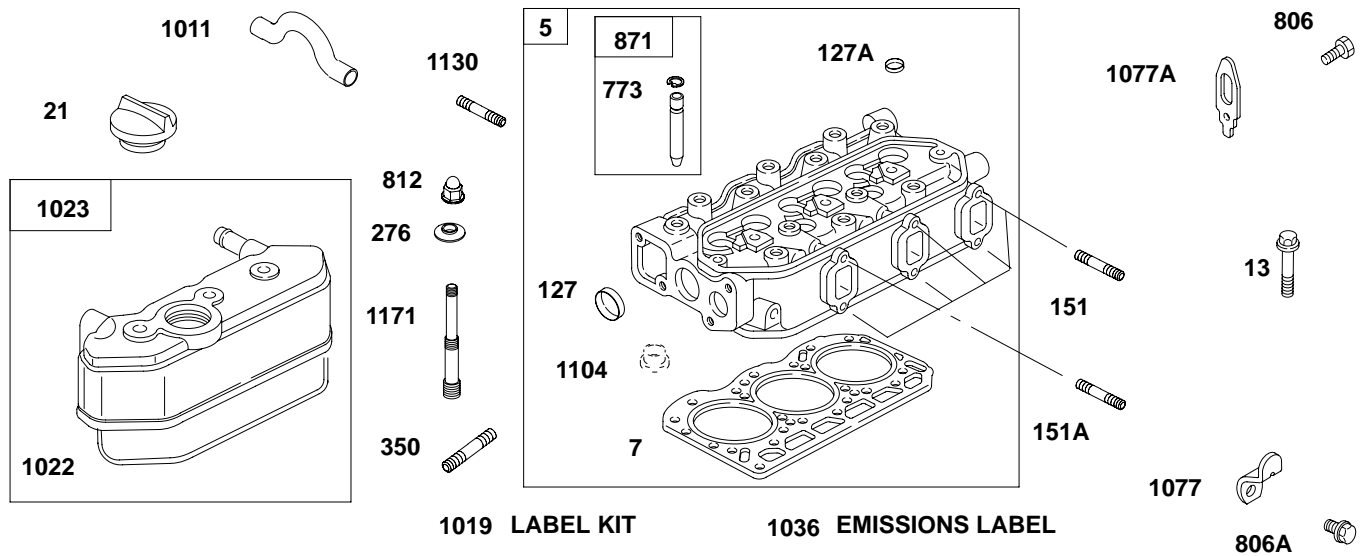
Engine Gasket Set - Reference 358
Valve Gasket Set - Reference 1095

582400



| REF. NO. | PART NO. | DESCRIPTION | REF. NO. | PART NO. | DESCRIPTION | REF. NO. | PART NO. | DESCRIPTION |
|----------|----------|---|----------|----------|--|----------|----------|---|
| 17 | 820919 | Bearing-Ball Used on Type No(s). 0211. | 25 | 825354 | Piston Assembly (Standard) (Used After Code Date 98123100). | 27 | 820402 | Lock-Piston Pin |
| 23 | 825303 | Flywheel ----- Note ----- 825302 Flywheel Used on Type No(s). 0125, 0225. 825237 Flywheel Used on Type No(s). 0130, 0230. | | | ----- Note ----- 825191 Piston Assembly (Standard) (Used Before Code Date 99010100). 825355 Piston Assembly (.010" Oversize) (Used After Code Date 98123100). 825192 Piston Assembly (.010" Oversize) (Used Before Code Date 99010100). | 32 | 820128 | Screw (Connecting Rod) |
| 23A | 825488 | Flywheel Used on Type No(s). 0211. | | | | 354 | 820073 | Nut (Connecting Rod) |
| | | | 26 | 825187 | Ring Set (Standard) ----- Note ----- 825188 Ring Set (.010" Oversize) | 1044 | 820080 | Screw (Flywheel) |
| | | | | | | 1076 | 820142 | Bearing/STD-Rod |
| | | | | | | 1242 | 825019 | Bearing Set/STD-Rod |
| | | | | | | 1243 | 825060 | Bearing Set/010"-Rod |
| | | | | | | 1273 | 820923 | Disc-Clutch Used on Type No(s). 0211. |
| | | | | | | 1274 | 825492 | Clutch-Pressure Plate Used on Type No(s). 0211. |
| | | | | | | 1299 | 820212 | Screw (Pressure Plate Clutch) |

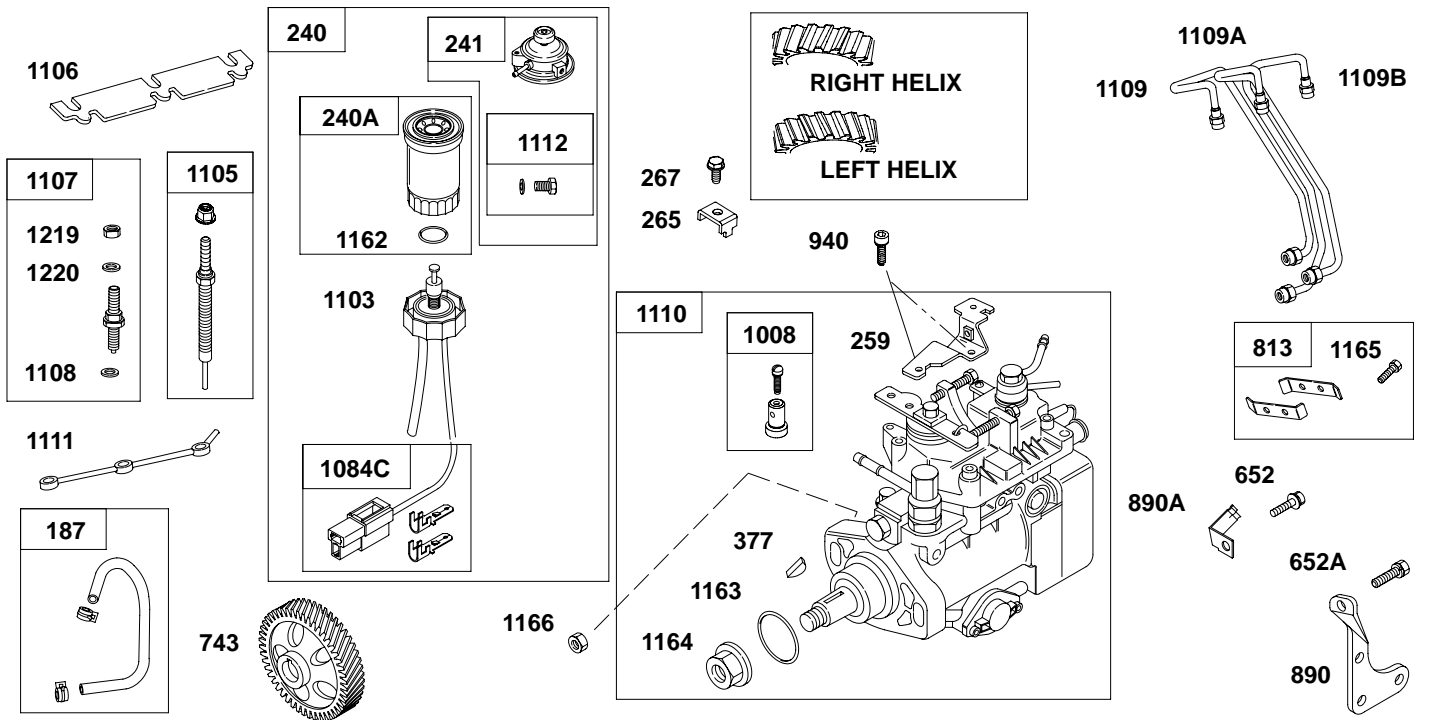
Engine Gasket Set - Reference 358
Valve Gasket Set - Reference 1095



| REF. NO. | PART NO. | DESCRIPTION | REF. NO. | PART NO. | DESCRIPTION | REF. NO. | PART NO. | DESCRIPTION |
|----------|----------|---|----------|----------|--|----------|----------|---|
| 5 | 825683 | Head-Cylinder (9mm Head Bolts) (Used After Code Date 98123100). ----- Note ----- 825262 Head-Cylinder (8mm Head Bolts) (Used Before Code Date 99010100). Used on Type No(s). 0125, 0131. Head-Cylinder (NO LONGER AVAILABLE) (8mm Head Bolts) (Used Before Code Date 99010100). Used on Type No(s). 0105, 0130. | | | ----- Note ----- 820623 Screw (Cylinder Head) (Used After Code Date 98123100 and Before Code Date 99070100). Used on Type No(s). 0105, 0125, 0130, 0131, 0205, 0230, 0231. 820074 Screw (Cylinder Head) (8mm) (Used Before Code Date 99010100). | 812 | 820071 | Nut (Rocker Cover) |
| | | | 21 | 825024 | Cap-Oil Fill | 871 | 825030 | Bushing-Valve Guide |
| | | | 127 | 820004 | Plug-Welch | 1011 | 821003 | Tube-Vent |
| | | | 127A | 820005 | Plug-Welch | 1019 | 825649 | Kit-Label |
| | | | 151 | 820014 | Stud (Exhaust Manifold) | 1022 | 820150 | Gasket-Rocker Cover |
| | | | 151A | 820466 | Stud (Exhaust Manifold) | 1023 | 825672 | Cover-Rocker (Order Reference 1019, Label Kit and Reference 1036, Emissions Label for your Model, Type, Trim) |
| | | | 276 | 820064 | Washer-Sealing (Rocker Cover) | 1036 | | Label-Emissions |
| | | | 350 | 820078 | Stud (Water Pump) | 1077 | 820260 | Bracket-Lifting |
| | | | 773 | 820130 | Retainer (Valve Guide Bushing) | 1077A | 820254 | Bracket-Lifting |
| | | | 806 | 820212 | Screw (Lifting Bracket) | 1104 | | Chamber-Combustion (NO LONGER AVAILABLE) (Used Before Code Date 99010100). Used on Type No(s). 0105, 0130. ----- Note ----- Chamber-Combustion (NO LONGER AVAILABLE) (Used Before Code Date 99010100). Used on Type No(s). 0125, 0131. |
| | | | 806A | 820024 | Screw (Lifting Bracket) | 1130 | 820015 | Stud (Intake Manifold) |
| | | | | | | 1171 | 820076 | Stud (Rocker Cover) |

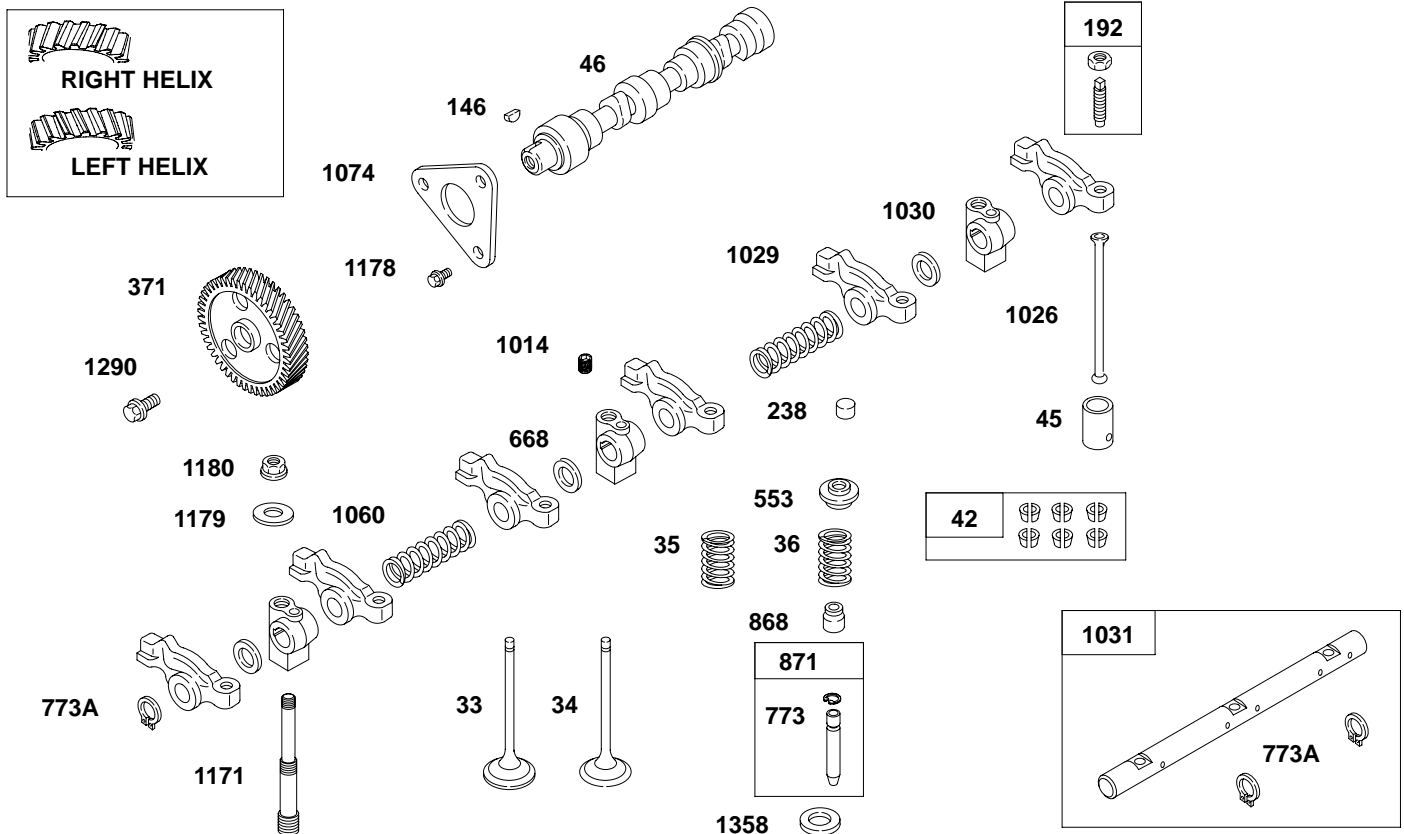
Engine Gasket Set - Reference 358
Valve Gasket Set - Reference 1095

582400



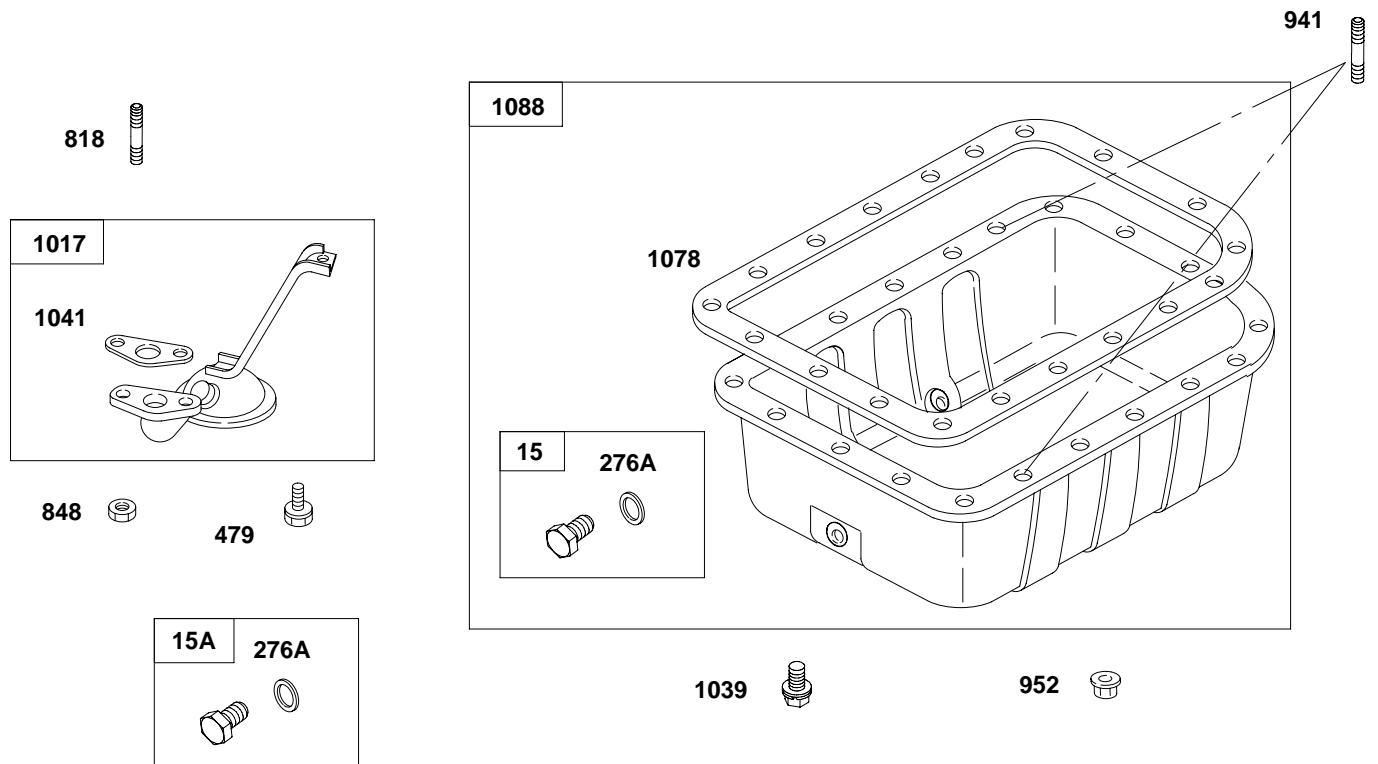
| REF. NO. | PART NO. | DESCRIPTION | REF. NO. | PART NO. | DESCRIPTION | REF. NO. | PART NO. | DESCRIPTION |
|----------|----------|---|----------|----------|--|----------|----------|-------------------------------------|
| 187 | 825179 | Line-Fuel | 743 | 820619 | Gear-Drive (Right Helix) | 1105 | 825176 | Plug-Glow |
| 240 | 825219 | Filter-Fuel | | | (Used After Code Date | 1106 | 820409 | Strap-Glow Plug |
| 240A | 820311 | Filter-Fuel | | | 99063000). | 1107 | 825178 | Nozzle-Injector |
| 241 | 821251 | Cover-Fuel Filter (Includes Reference 1112) | | | ----- Note ----- | 1108 | 820411 | Seat-Injector |
| | | | | | 820619 Gear-Drive | 1109 | 825194 | Pipe-Injector #1 |
| 259 | 820634 | Bracket-Casing Clamp | | | (Right Helix) | 1109A | 825195 | Pipe-Injector #2 |
| 265 | 691024 | Clamp-Casing | | | (Used After Code Date | 1109B | 825196 | Pipe-Injector #3 |
| 267 | 820012 | Screw (Casing Clamp) | | | 98123100 and Before | 1110 | 825300 | Pump-Injection |
| 377 | 821064 | Key-Woodruff (Injection Pump) | | | Code Date 99070100). | | | ----- Note ----- |
| 652 | 820593 | Screw (Support Bracket) | | | Used on Type No(s). | | | 825299 Pump- Injection |
| 652A | 820272 | Screw (Support Bracket) | | | 0105, 0125, 0130, | | | Used on Type No(s). |
| | | | | | 0131, 0205, 0230, | 1111 | 820412 | Pipe-Fuel Return |
| | | | | | 0231. | 1112 | 825198 | Plug-Vent |
| | | | | | 820416 Gear-Drive | 1162 | 820348 | Seal-O Ring (Fuel Filter Sensor) |
| | | | | | (Left Helix) | 1163 | 820414 | Seal-O Ring (Injection Pump) |
| | | | | | (Used Before Code | 1164 | 820419 | Nut (Injection Pump) |
| | | | | | Date 99010100). | | | (Shaft) |
| | | | 813 | 825197 | Clamp | 1165 | 820031 | Screw (Clamp) |
| | | | 890 | 820415 | Bracket-Support | 1166 | 820417 | Nut (Injection Pump) |
| | | | 890A | 820479 | Bracket-Support | 1219 | 820829 | Nut (Injector Nozzle) |
| | | | 940 | 820640 | Screw (Casing Clamp Bracket) | 1220 | 820831 | Washer (Injector Nozzle) |
| | | | 1008 | 820467 | Clamp-Swivel | | | |
| | | | 1084C | 825156 | Connector-Terminal | | | |
| | | | 1103 | 820347 | Sensor-Fuel Filter (Includes Reference 1162) | | | |

Engine Gasket Set - Reference 358
Valve Gasket Set - Reference 1095



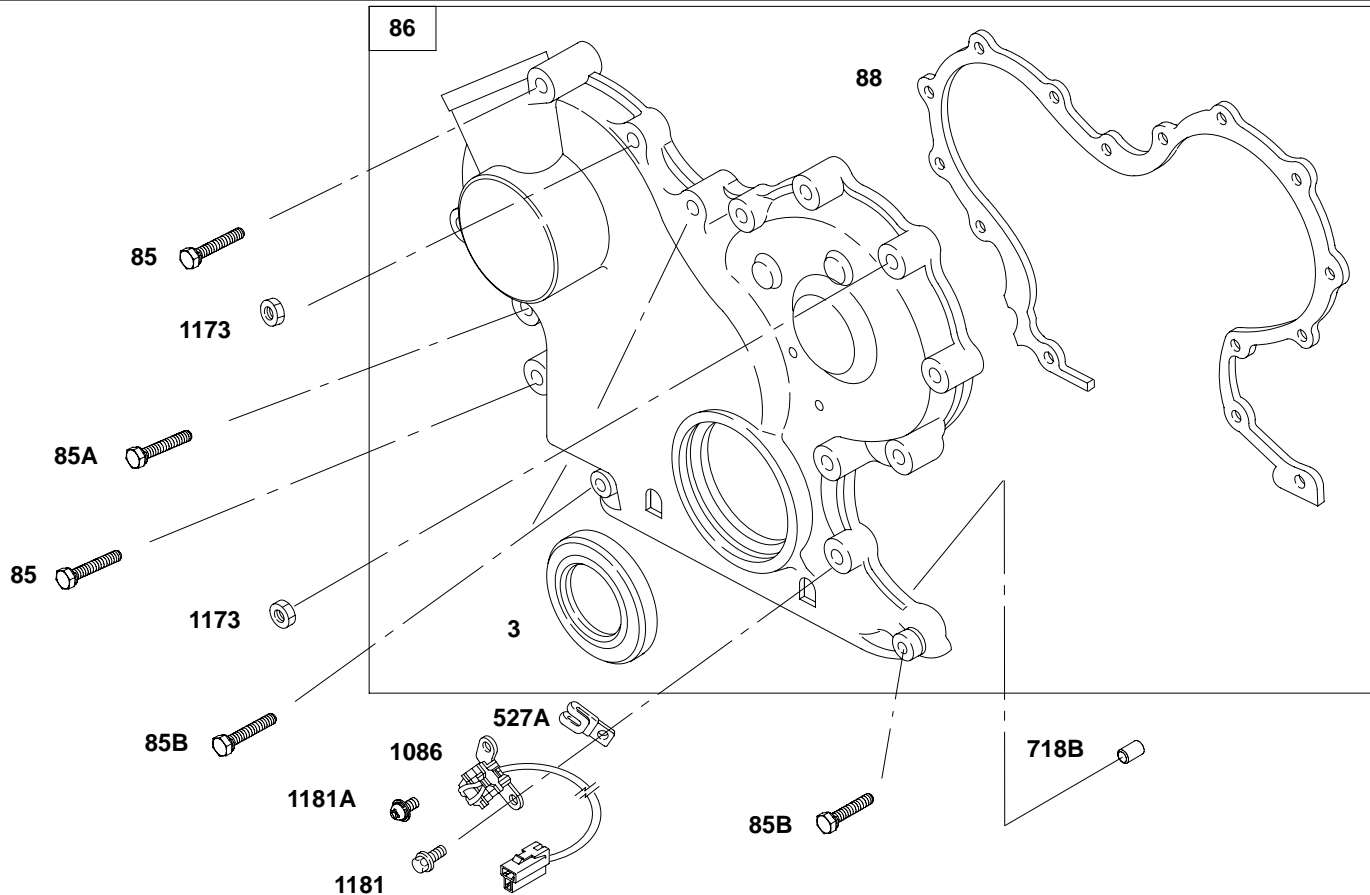
| REF. NO. | PART NO. | DESCRIPTION | REF. NO. | PART NO. | DESCRIPTION | REF. NO. | PART NO. | DESCRIPTION |
|----------|----------|---|----------|----------|--|----------|----------|--|
| 33 | 820404 | Valve-Exhaust | 371 | 820613 | Gear-Cam (Right Helix) | 1014 | 820105 | Screw (Rocker Arm Support) |
| 34 | 820403 | Valve-Intake | | | (Used After Code Date 99063100). | 1026 | 821218 | Rod-Push (Used After Code Date 04083100). |
| 35 | 820406 | Spring-Valve (Intake) | | | ----- Note ----- | | | ----- Note ----- |
| 36 | 820406 | Spring-Valve (Exhaust) | | | 820613 Gear-Cam (Right Helix) | | | 820422 Rod-Push (Used Before Code Date 04090100). |
| 42 | 825082 | Keeper-Valve | | | (Used After Code Date 98123100 and Before Code Date 99070100). | 1029 | 820387 | Arm-Rocker |
| 45 | 820110 | Tappet-Valve | | | | 1030 | 820106 | Support-Rocker Arm |
| 46 | 820388 | Camshaft | | | | 1031 | 825093 | Shaft-Rocker Arm |
| 146 | 691639 | Key-Timing | | | | 1060 | 820044 | Spring-Rocker Shaft |
| 192 | 825688 | Adjuster-Rocker Arm (Used After Code Date 04083100). | | | | 1074 | 820118 | Retainer-Camshaft |
| | | ----- Note ----- | | | | 1171 | 820076 | Stud (Rocker Cover) |
| | | 825041 Adjuster-Rocker Arm (Used Before Code Date 04090100). | | | | 1178 | 820032 | Screw (Camshaft Retainer) |
| 238 | 821214 | Cap-Valve (Used After Code Date 04083100). | 553 | 820111 | Retainer-Valve | 1179 | 820177 | Washer (Rocker Arm Support) |
| | | ----- Note ----- | 668 | 820065 | Spacer (Rocker Arm Shaft) | 1180 | 820070 | Nut (Rocker Arm Support) |
| | | 820113 Cap-Valve (Used Before Code Date 04090100). | 773 | 820130 | Retainer (Valve Guide Bushing) | 1290 | 820075 | Screw (Cam Gear) |
| | | | 773A | 820003 | Retainer | 1358 | 820112 | Seat-Valve Spring |
| | | | 868 | 820405 | Seal-Valve (Rocker Arm Shaft) | | | |
| | | | 871 | 825030 | Bushing-Valve Guide | | | |

Engine Gasket Set - Reference 358
 Valve Gasket Set - Reference 1095



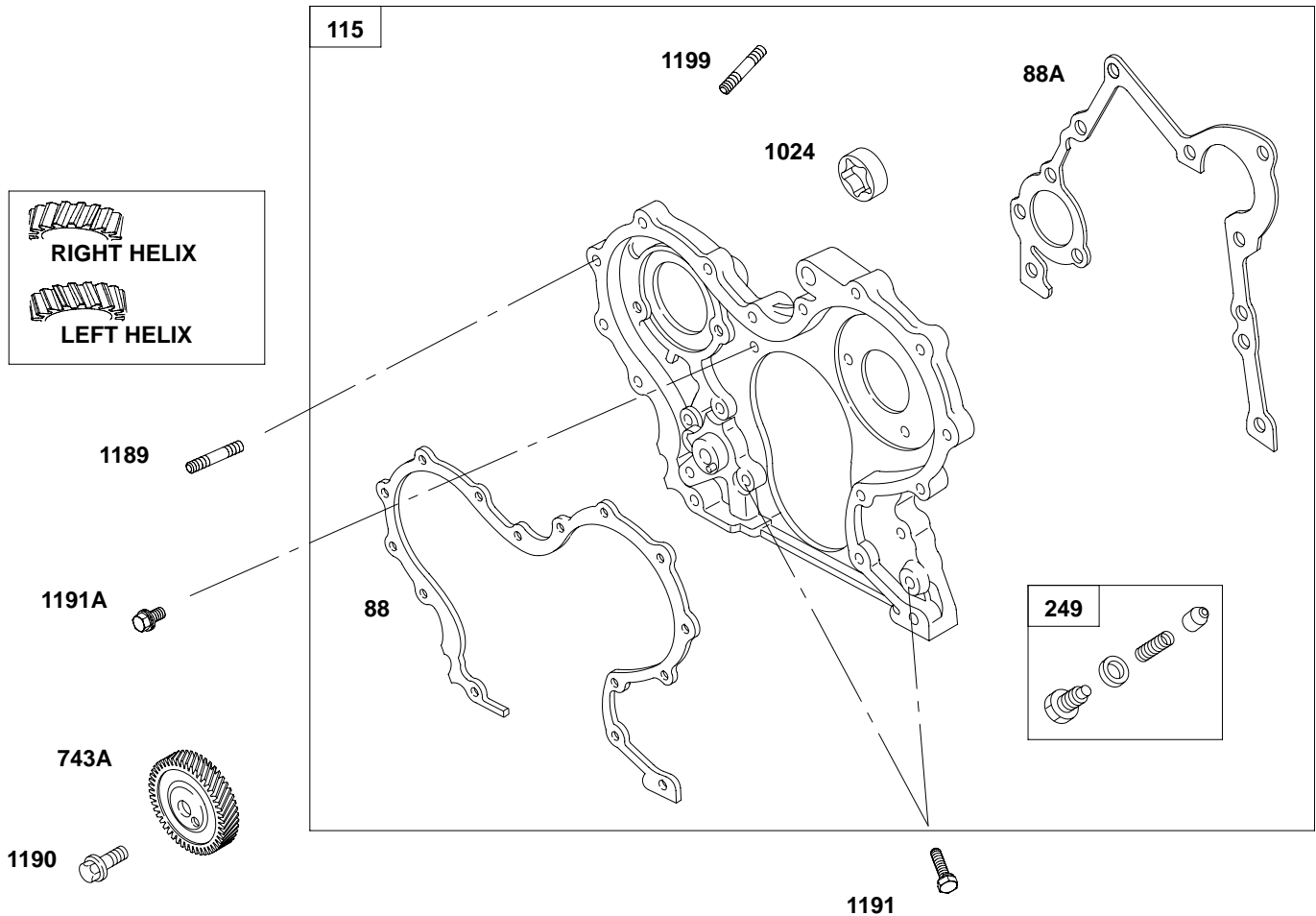
| REF. NO. | PART NO. | DESCRIPTION | REF. NO. | PART NO. | DESCRIPTION | REF. NO. | PART NO. | DESCRIPTION |
|----------|----------|--|----------|----------|-------------------------|----------|----------|------------------------------------|
| 15 | 825278 | Plug-Oil Drain (16 mm) | 479 | 820034 | Screw (Oil Pump Screen) | 1017 | 825089 | Screen-Oil Pump |
| 15A | 825043 | Plug-Oil Drain (12 mm) | 818 | 820016 | Stud (Oil Pump Screen) | 1039 | 820034 | Screw (Oil Pan) |
| 276A | 820582 | Washer-Sealing (Oil Drain Plug) (16 mm) | 848 | 820069 | Nut (Oil Pump Screen) | 1041 | 820104 | Gasket-Oil Pump Screen |
| | | ----- Note ----- | 941 | 820017 | Stud (Oil Pan) | 1078 | 820137 | Gasket-Oil Pan |
| | | 820049 Washer-Sealing (Oil Drain Plug) (12 mm) | 952 | 820068 | Nut (Oil Pan) | 1088 | 825285 | Pan-Oil (Dual Drain) (16 mm) |
| | | | | | | | | ----- Note ----- |
| | | | | | | | | 825695 Pan-Oil (Tri-Drain) (16 mm) |
| | | | | | | | | Used on Type No(s). 0381. |

Engine Gasket Set - Reference 358
 Valve Gasket Set - Reference 1095



| REF. NO. | PART NO. | DESCRIPTION | REF. NO. | PART NO. | DESCRIPTION | REF. NO. | PART NO. | DESCRIPTION |
|----------|----------|--------------------------------|----------|----------|------------------|----------|----------|-----------------------------|
| 3 | 821071 | Seal-Oil (Magneto Side) | 527A | 820047 | Clamp-Tube | 1173 | 820069 | Nut (Gear Cover) |
| 85 | 820425 | Screw (Gear Cover) | 718B | 820061 | Pin-Locating | 1181 | 820029 | Screw (Ignition Trigger) |
| 85A | 820029 | Screw (Gear Cover) | 1086 | 825009 | Trigger-Ignition | 1181A | 820013 | Screw (Ignition Trigger) |
| 85B | 820027 | Screw (Gear Cover) | | | | | | |
| 86 | 825185 | Cover-Gear | | | | | | |
| 88 | 820377 | Gasket-Gear Reduction Cover | | | | | | |

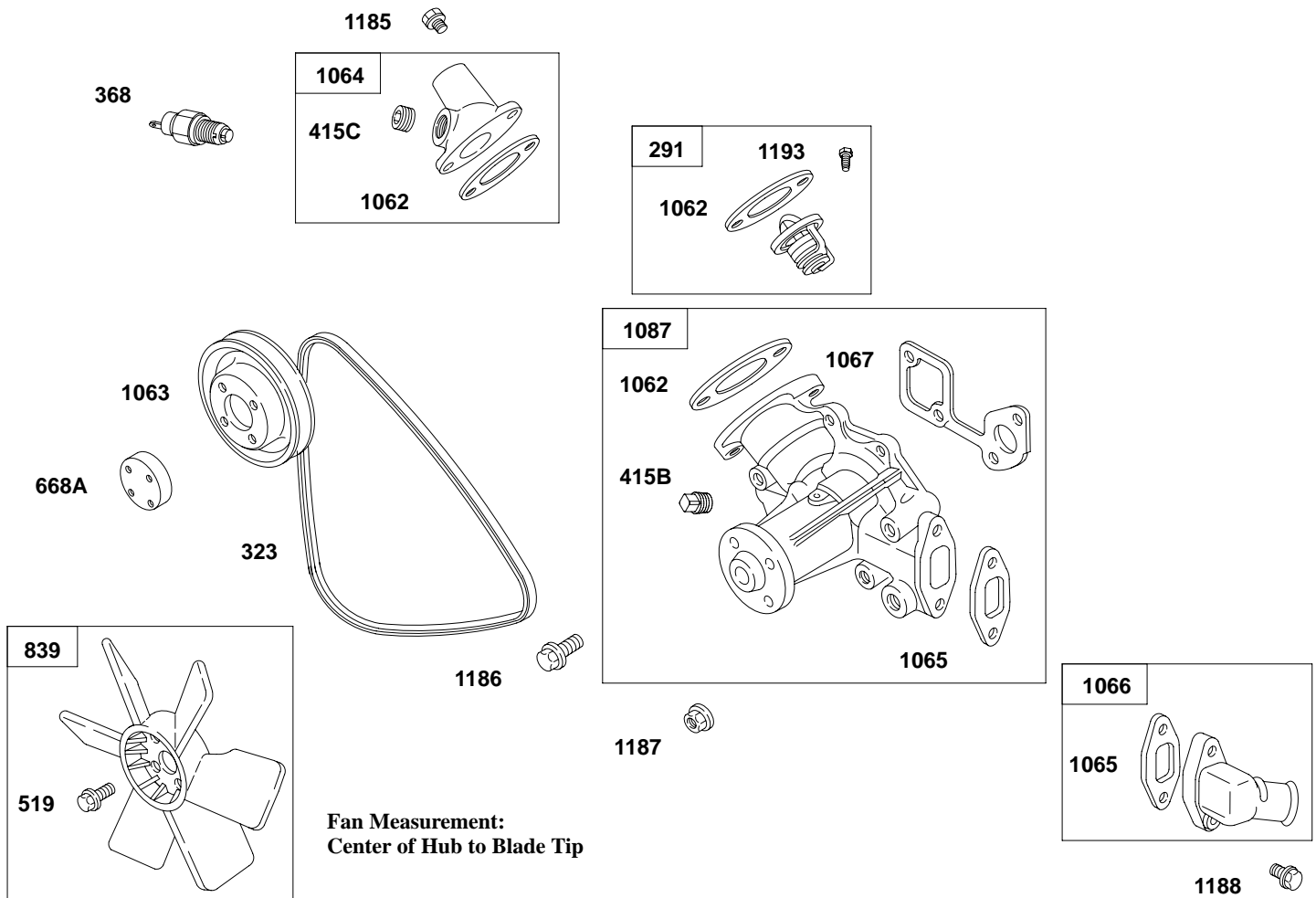
Engine Gasket Set - Reference 358
 Valve Gasket Set - Reference 1095



| REF. NO. | PART NO. | DESCRIPTION | REF. NO. | PART NO. | DESCRIPTION | REF. NO. | PART NO. | DESCRIPTION |
|----------|----------|-----------------------------|----------|----------|--|----------|----------|---|
| 88 | 820377 | Gasket-Gear Reduction Cover | 743A | 820615 | Gear-Drive (Oil Pump) (Right Helix) (Used After Code Date 99063000). | 1024 | | Pump-Oil (Sold in Gear Housing Only, Reference 115) |
| 88A | 820155 | Gasket-Gear Reduction Cover | | | | 1189 | 820156 | Stud (Gear Housing) |
| 115 | 825186 | Housing-Gear | | | | 1190 | 820180 | Screw (Drive Gear) |
| 249 | 825032 | Valve-Pressure Relief | | | | 1191 | 820030 | Screw (Gear Housing) |
| | | | | | | 1191A | 820033 | Screw (Gear Housing) |
| | | | | | | 1199 | 820426 | Stud (Injector Pump) |
| | | | | | | | | |

Note -----
820615 Gear-Drive (Oil Pump) (Right Helix) (Used After Code Date 98123100 and Before Code Date 99070100). Used on Type No(s). 0105, 0125, 0130, 0131, 0205, 0230, 0231.
820121 Gear-Drive (Oil Pump) (Left Helix) (Used Before Code Date 99010100).

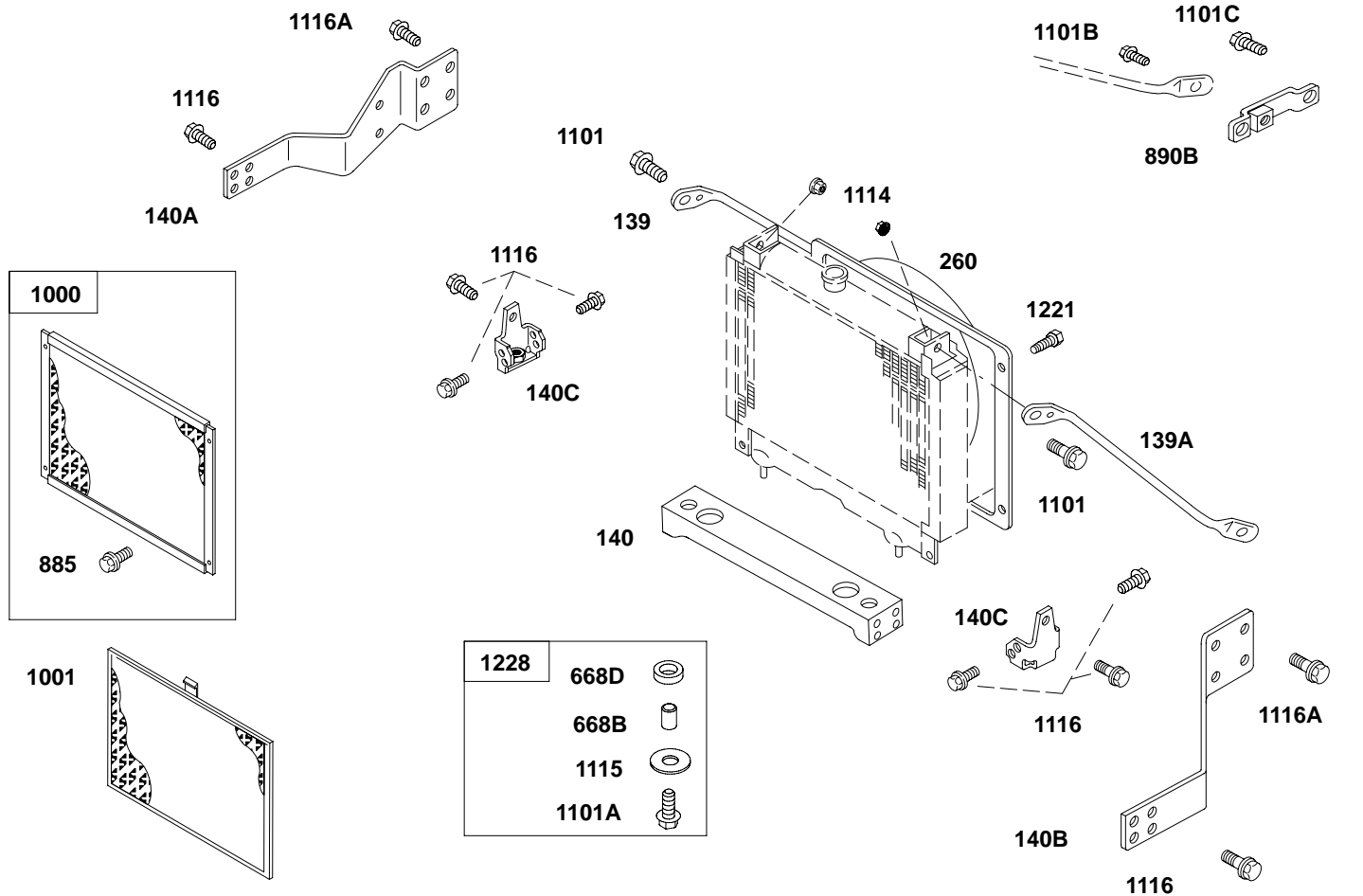
Engine Gasket Set - Reference 358
 Valve Gasket Set - Reference 1095



| REF. NO. | PART NO. | DESCRIPTION | REF. NO. | PART NO. | DESCRIPTION | REF. NO. | PART NO. | DESCRIPTION |
|----------|----------|--------------------------|----------|---|----------------------|----------|---|-----------------------|
| 291 | 825064 | Thermostat | 839 | 825454 | Fan-Radiator (340mm) | 1062 | 820093 | Gasket-Outlet Housing |
| 323 | 821075 | Belt-Vee (940mm) | | Note ----- | 1063 | 820095 | Pulley-Pump | |
| | | Note ----- | | 825136 Fan-Radiator (320mm, Puller) (Includes Spacer, Reference 668A) Used on Type No(s). 0130, 0131, 0224, 0231. | 1064 | 825074 | Housing-Outlet | |
| 368 | 820208 | Switch-Water Temperature | | 825223 Fan-Radiator (290mm, Puller) Used on Type No(s). 0105, 0125. | 1065 | 820098 | Gasket-Inlet Housing | |
| 415B | 820182 | Plug (Water Pump) | | 821013 Fan-Radiator Used on Type No(s). 0235. | 1066 | 825051 | Housing-Inlet | |
| 415C | 820052 | Plug (Outlet Housing) | | 825538 Fan-Radiator (310mm, Puller) Used on Type No(s). 0376, 0377, 0381. | 1067 | 820100 | Gasket-Water Pump | |
| 519 | 820034 | Screw (Radiator Fan) | | | 1087 | 825265 | Pump-Water | |
| | | Note ----- | | | | | Note ----- | |
| 668A | 820218 | Spacer (Radiator Fan) | | | | | 825565 Pump-Water Used on Type No(s). 0211, 0381. | |
| | | | | | 1185 | 820031 | Screw (Outlet Housing) | |
| | | | | | 1186 | 820022 | Screw (Water Pump) | |
| | | | | | 1187 | 820181 | Nut (Water Pump) | |
| | | | | | 1188 | 820031 | Screw (Inlet Housing) | |
| | | | | | 1193 | 820185 | Screw (Thermostat) | |

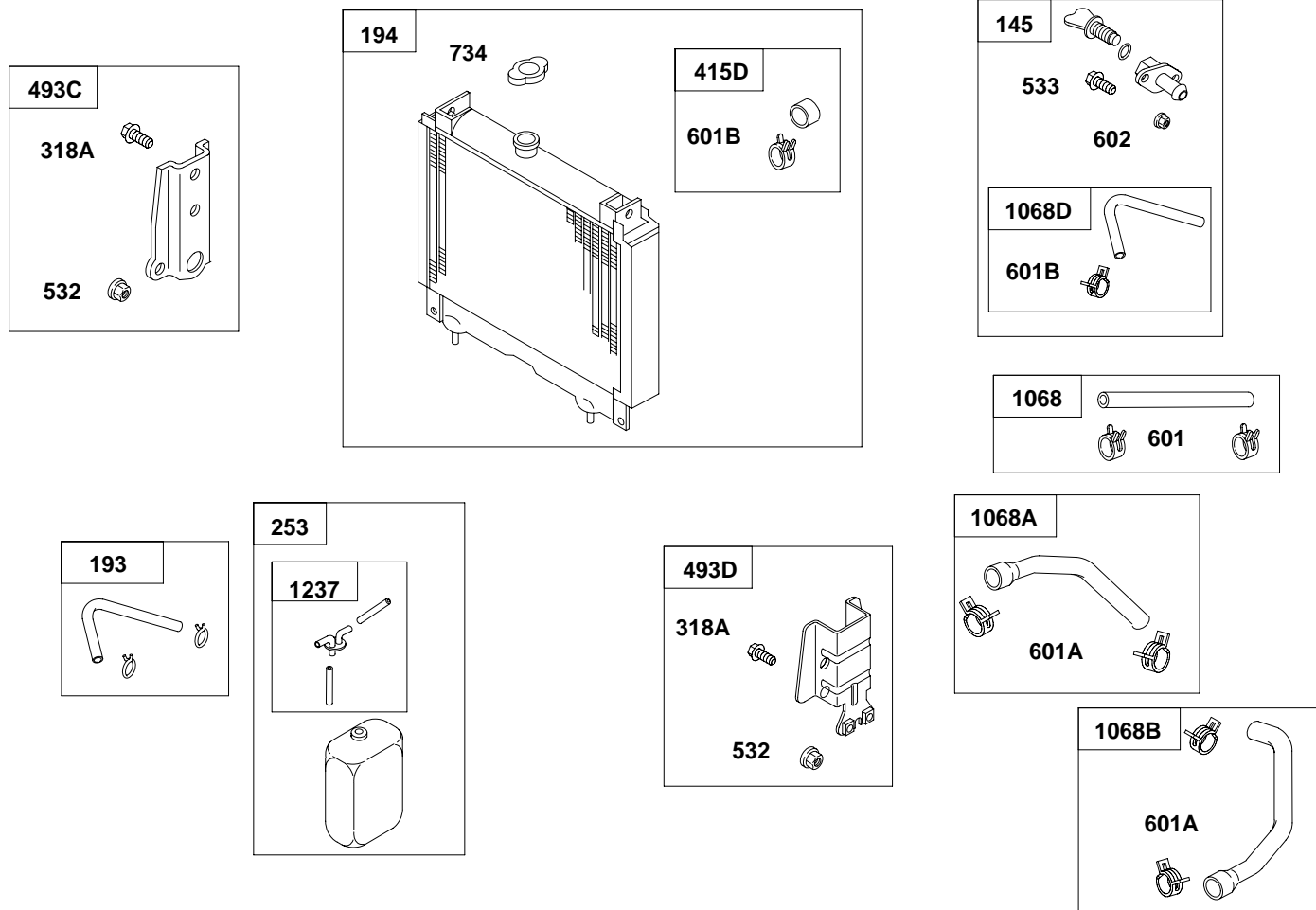
Engine Gasket Set - Reference 358
Valve Gasket Set - Reference 1095

582400



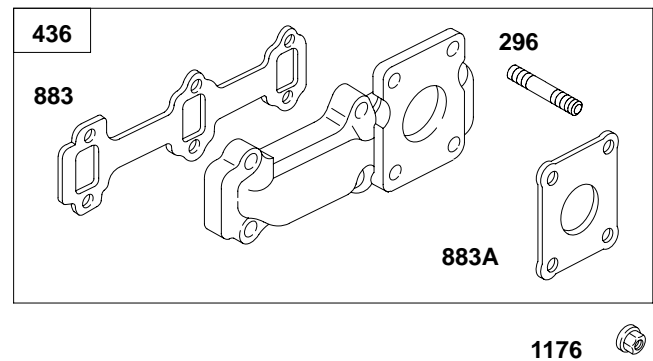
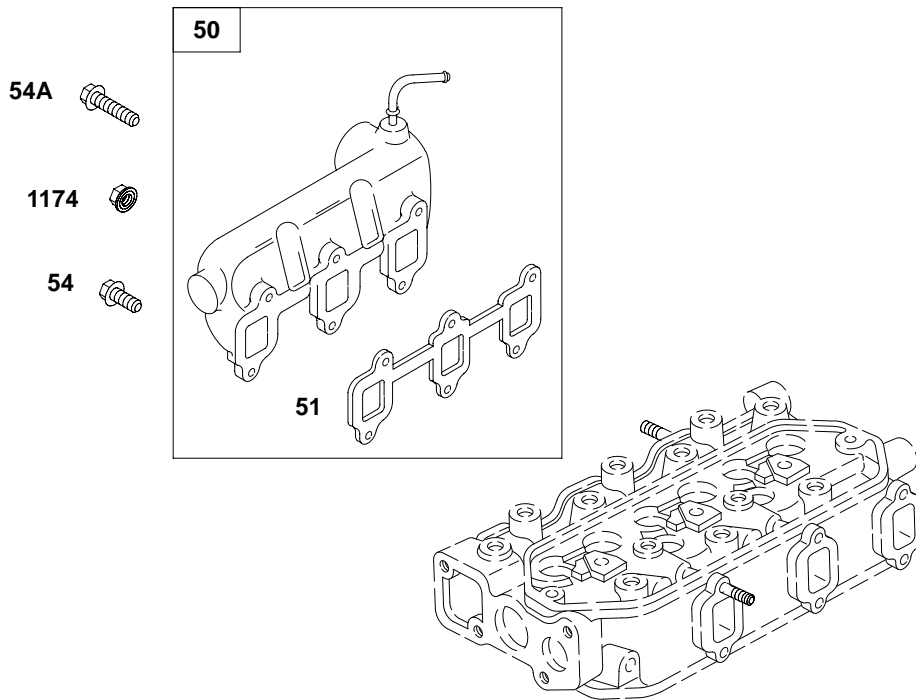
| REF. NO. | PART NO. | DESCRIPTION | REF. NO. | PART NO. | DESCRIPTION | REF. NO. | PART NO. | DESCRIPTION |
|-------------------------|----------|-------------------------------|----------|----------|----------------------------|-------------------------|----------|--|
| 139 | 820617 | Support-Radiator (Right Hand) | 890B | 820194 | Bracket-Support (Radiator) | 1116 | 820878 | Screw (Radiator Bracket) |
| 139A | 820191 | Support-Radiator (Left Hand) | 1000 | 825103 | Guard-Radiator | 1116A | 820024 | Screw (Radiator Bracket) (Used With Engine Mounts Only) |
| 140 | 820255 | Bracket-Radiator (Front) | 1001 | 820259 | Screen-Radiator | ----- Note ----- | | |
| 140A | 820192 | Bracket-Radiator (Right Hand) | 1101 | 820272 | Screw (Radiator Support) | 820023 | 820023 | Screw (Radiator Bracket) (Used With Engine Mounts And Radiator Brackets) |
| 140B | 820193 | Bracket-Radiator (Left Hand) | 1101A | 820309 | Screw (Radiator Support) | 1221 | 820636 | Screw (Fan Shroud) (320 mm Fan) |
| 140C | 820294 | Bracket-Radiator | 1101B | 820273 | Screw (Radiator Support) | ----- Note ----- | | |
| 260 | 820220 | Shroud-Fan (320 mm) | 1101C | 820452 | Screw (Radiator Support) | 820865 | 820865 | Screw (Fan Shroud) (340 mm Fan) |
| ----- Note ----- | | 820863 | 820296 | 1114 | 820070 | 1228 | 825135 | Mount-Radiator (Contains 2 Sets) |
| 668B | 820307 | Spacer (Radiator Mount) | 1115 | 820296 | Washer (Radiator Support) | | | |
| 668D | 820198 | Spacer | | | | | | |
| 885 | 820636 | Screw (Radiator Guard) | | | | | | |

Engine Gasket Set - Reference 358
 Valve Gasket Set - Reference 1095



| REF. NO. | PART NO. | DESCRIPTION | REF. NO. | PART NO. | DESCRIPTION | REF. NO. | PART NO. | DESCRIPTION |
|----------|----------|--|----------|----------|--|----------|----------|----------------------|
| 145 | 825072 | Valve-Drain | 253 | 825462 | Tank-Reserve | 602 | 820011 | Nut (Drain Valve) |
| 193 | 825697 | Hose-Reserve Tank | 318A | 820034 | Screw (Mounting Bracket) | 734 | 820258 | Cap-Radiator |
| 194 | 825068 | Radiator (Copper) Used on Type No(s). 0219, 0225. ----- Note ----- 825645 Radiator (Aluminum) Used on Type No(s). 0235. 825574 Radiator (Aluminum) (Used After Code Date 04043000). Used on Type No(s). 0219, 0233. | 415D | 825075 | Plug Used on Type No(s). 0219, 0225. | 1068 | 825045 | Hose/Clamp Assembly |
| | | | 493C | 825106 | Bracket-Mounting (Reserve Tank) | 1068A | 825134 | Hose/Clamp Assembly |
| | | | 493D | 825314 | Bracket-Mounting (Reserve Tank) Used on Type No(s). 0222. | 1068B | 825133 | Hose/Clamp Assembly |
| | | | 532 | 820011 | Nut (Mounting Bracket) | 1068D | 825696 | Hose/Clamp Assembly |
| | | | 533 | 820034 | Screw (Drain Valve) | 1237 | 825461 | Cap/Hose-Reserve |
| | | | 601 | 820045 | Clamp-Hose | | | |
| | | | 601A | 820256 | Clamp-Hose | | | |
| | | | 601B | 820201 | Clamp-Hose | | | |

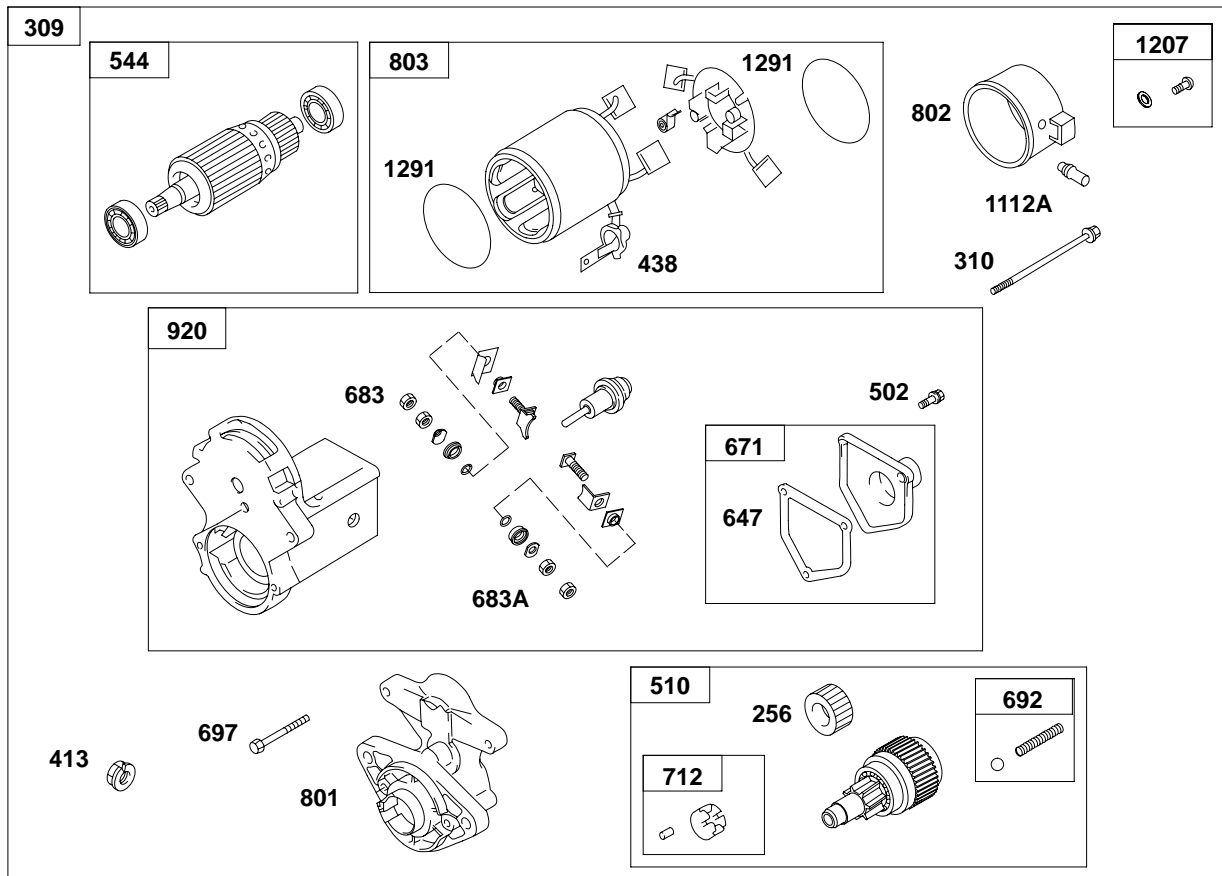
Engine Gasket Set - Reference 358
Valve Gasket Set - Reference 1095



| REF. NO. | PART NO. | DESCRIPTION | REF. NO. | PART NO. | DESCRIPTION | REF. NO. | PART NO. | DESCRIPTION |
|----------|----------|---------------------------------|----------|----------|---------------------------|----------|----------|------------------------|
| 50 | 825175 | Manifold-Intake | 296 | 820553 | Stud (Muffler) | 1174 | 820069 | Nut (Intake Manifold) |
| 51 | 820407 | Gasket-Intake (Intake Manifold) | 436 | 825055 | Manifold-Exhaust | 1176 | 820010 | Nut (Exhaust Manifold) |
| 54 | 820031 | Screw (Intake Manifold) | 883 | 820817 | Gasket-Exhaust (Manifold) | | | |
| 54A | 820408 | Screw (Intake Manifold) | 883A | 821001 | Gasket-Exhaust (Muffler) | | | |

Engine Gasket Set - Reference 358
 Valve Gasket Set - Reference 1095

1.2KW PURPLE/BROWN LABEL

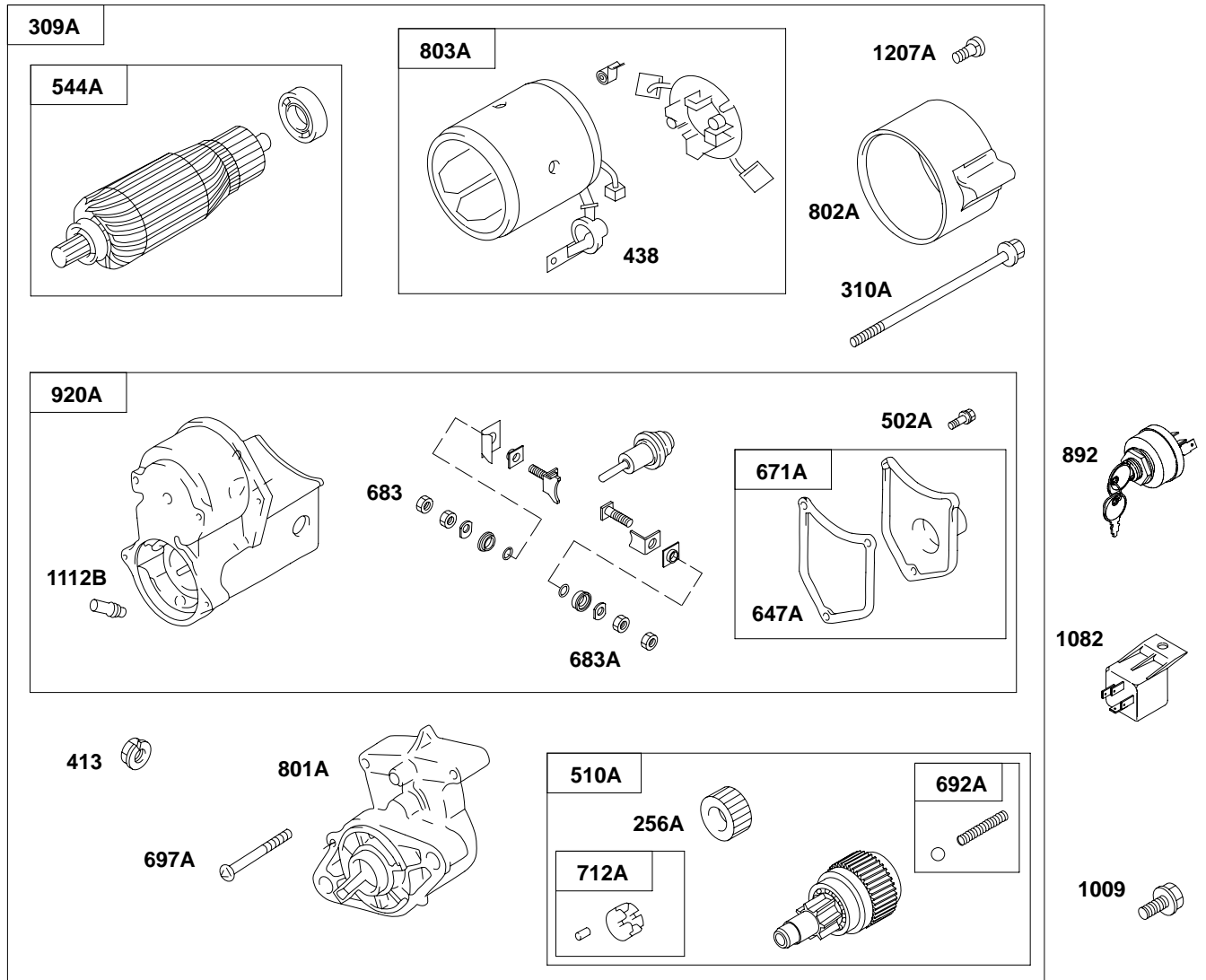


| REF. NO. | PART NO. | DESCRIPTION | REF. NO. | PART NO. | DESCRIPTION | REF. NO. | PART NO. | DESCRIPTION |
|----------|----------|--|----------|----------|--|----------|----------|--|
| 256 | 820767 | Gear-Starter Drive | 683 | 820723 | Nut (Starter Solenoid) (Terminal) | 802 | 821231 | Cap-End (Used After Code Date 05022800). |
| 309 | 825700 | Motor-Starter | | | | | | ----- Note ----- |
| 310 | 820773 | Screw (Starter Motor) | 683A | 820721 | Nut (Starter Solenoid) (Terminal) | | | 820771 Cap-End (Used Before Code Date 05030100). |
| 413 | 820067 | Nut (Starter Motor) | 692 | 825402 | Detent-Spring | 803 | 825423 | Housing-Starter |
| 438 | 820725 | Boot-Terminal | 697 | 820777 | Screw (Drive Cap) | 920 | 825702 | Solenoid-Starter (Used After Code Date 05022800). |
| 502 | 820763 | Screw (Solenoid Cover) | 712 | 825401 | Roller-Clutch | | | ----- Note ----- |
| 510 | 825406 | Drive-Starter | 801 | 821228 | Cap-Drive (Used After Code Date 05022800). | | | 825410 Solenoid-Starter (Used Before Code Date 05030100). |
| 544 | 825404 | Armature-Starter | | | | 1009 | 820019 | Screw (Starter Motor) |
| 647 | 820719 | Gasket-Solenoid Cover | | | | 1112A | 820779 | Plug-Vent |
| 671 | 825703 | Cover-Solenoid (Used After Code Date 05022800). | | | | 1207 | 820775 | Screw (End Cap) |
| | | ----- Note ----- | | | | 1291 | 820769 | Seal-O Ring (Starter Housing) |
| | | 825422 Cover-Solenoid (Used Before Code Date 05030100). | | | | | | |

Engine Gasket Set - Reference 358
 Valve Gasket Set - Reference 1095

1.0KW

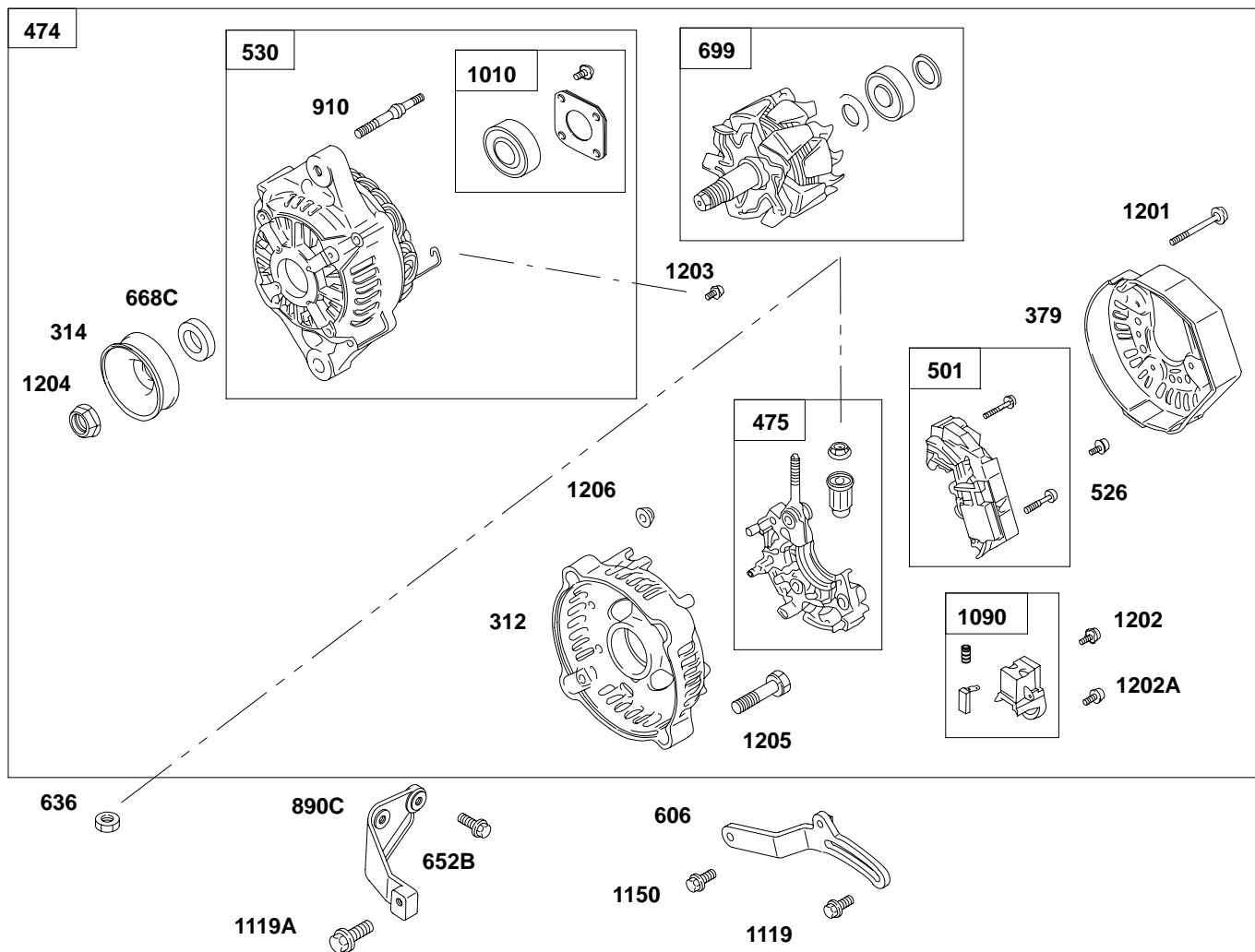
BLUE/GREEN LABEL



| REF. NO. | PART NO. | DESCRIPTION | REF. NO. | PART NO. | DESCRIPTION | REF. NO. | PART NO. | DESCRIPTION |
|----------|----------|---|----------|----------|---|----------|----------|---|
| 256A | 820745 | Gear-Starter Drive | 647A | 820733 | Gasket-Solenoid | 802A | 820743 | Cap-End |
| 309A | | Motor-Starter (For Replacement Starter Motor, Order Reference 309) | 671A | 825400 | Cover-Solenoid | 803A | 825399 | Housing-Starter (Includes Brushes, Springs and Brush Retainer) |
| 310A | 820755 | Screw (Starter Motor) | 683 | 820723 | Nut (Starter Solenoid) (Terminal) | 892 | 692318 | Switch-Key |
| 413 | 820067 | Nut (Starter Motor) | 683A | 820721 | Nut (Starter Solenoid) (Terminal) | 920A | 825398 | Solenoid-Starter |
| 438 | 820725 | Boot-Terminal | 692A | 825425 | Detent-Spring | 1009 | 820019 | Screw (Starter Motor) |
| 502A | 820739 | Screw (Solenoid Cover) | 697A | 820751 | Screw (Drive Cap) | 1082 | 820455 | Relay-Starter |
| 510A | 825394 | Drive-Starter | 712A | 825424 | Roller-Clutch | 1112B | 820737 | Plug-Vent |
| 544A | 825392 | Armature-Starter | 801A | 825396 | Cap-Drive | 1207A | 820754 | Screw (End Cap) |

Engine Gasket Set - Reference 358
Valve Gasket Set - Reference 1095

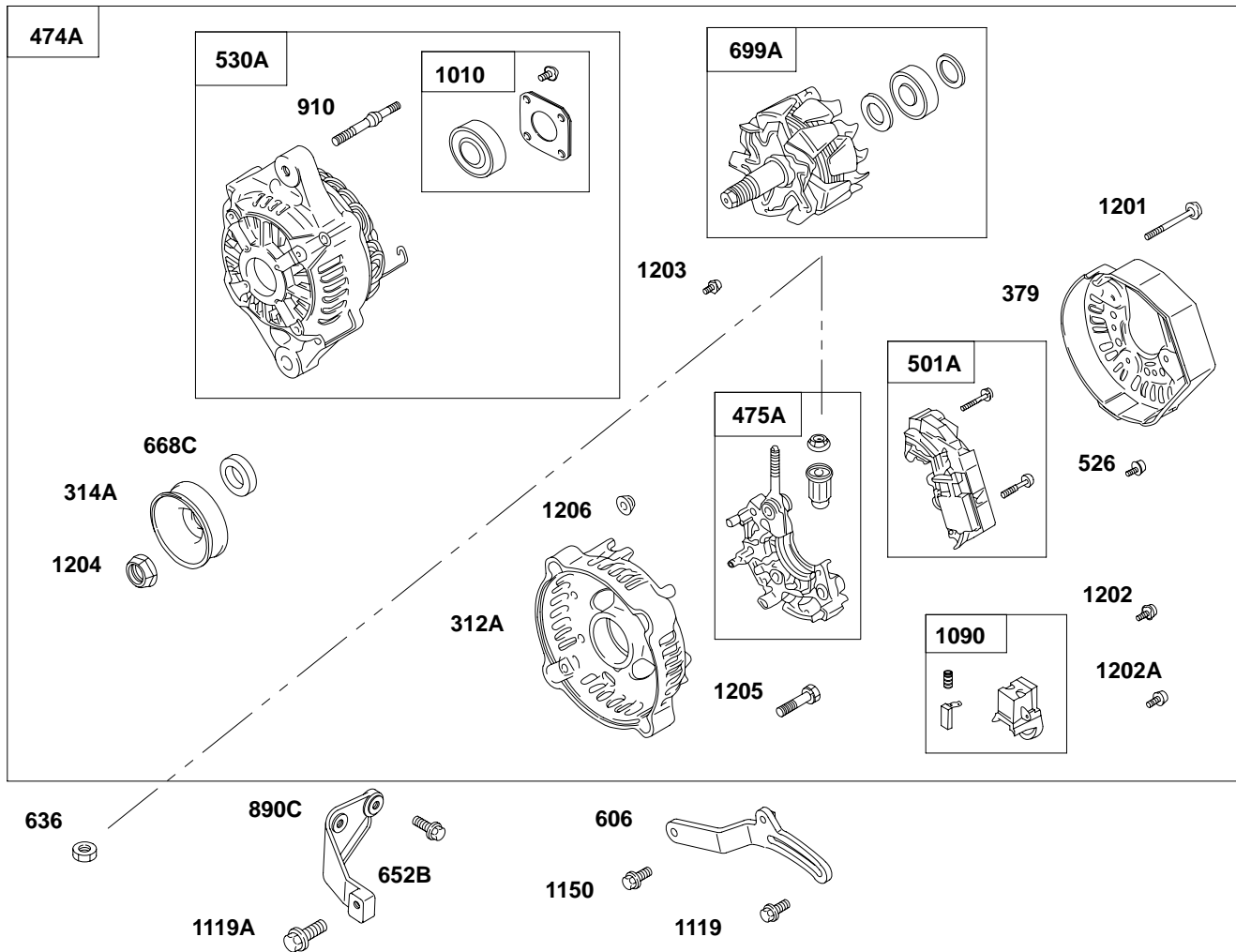
40 AMP



| REF. NO. | PART NO. | DESCRIPTION | REF. NO. | PART NO. | DESCRIPTION | REF. NO. | PART NO. | DESCRIPTION |
|----------|----------|-----------------------|----------|----------|-------------------------|----------|----------|---------------------------|
| 312 | 820692 | Housing-Brush End | 652B | 820275 | Screw (Support Bracket) | 1201 | 820715 | Screw (Brush Cover) |
| 314 | 820711 | Pulley-Alternator | 668C | 820713 | Spacer (Alternator) | 1202 | 820701 | Screw (Brush Retainer) |
| 379 | 820703 | Cover-Brush | 699 | 825390 | Rotor Assembly | 1202A | 820702 | Screw (Brush Retainer) |
| 474 | 825084 | Alternator | 890C | 820213 | Bracket-Support | 1203 | 820702 | Screw (Stator Wire) |
| 475 | 825385 | Rectifier | 910 | 820690 | Stud (Alternator) | 1204 | 820705 | Nut (Alternator Pulley) |
| 501 | 825388 | Regulator | 1010 | 825384 | Retainer-Bearing | 1205 | 820707 | Screw (Brush End Housing) |
| 526 | 820702 | Screw (Rectifier) | 1090 | 825387 | Retainer-Brush | 1206 | 820709 | Nut (Brush End Housing) |
| 530 | 825383 | Housing-Drive End | 1119A | 820270 | Screw (Alternator) | | | |
| 606 | 820819 | Strap-Adjusting | 1150 | 820023 | Screw (Adjusting Strap) | | | |
| 636 | 820069 | Nut (Starting Switch) | | | | | | |

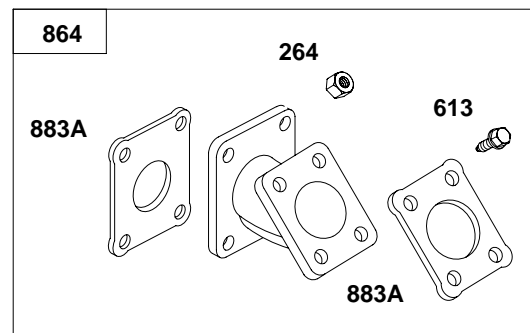
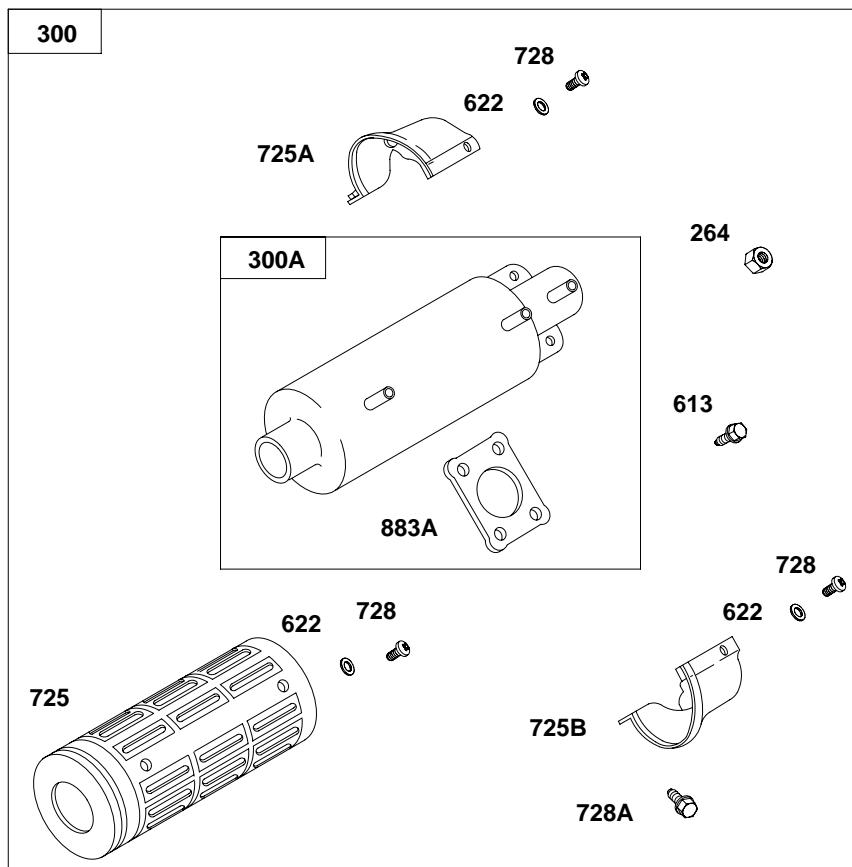
Engine Gasket Set - Reference 358
 Valve Gasket Set - Reference 1095

60 AMP



| REF. NO. | PART NO. | DESCRIPTION | REF. NO. | PART NO. | DESCRIPTION | REF. NO. | PART NO. | DESCRIPTION |
|----------|----------|----------------------------|----------|----------|----------------------------|----------|----------|------------------------------|
| 312A | 820904 | Housing—Brush End | 668C | 820713 | Spacer | 1201 | 820715 | Screw (Brush Cover) |
| 314A | 820900 | Pulley—Alternator | 699A | 825486 | Rotor Assembly | 1202 | 820701 | Screw (Brush Retainer) |
| 379 | 820703 | Cover—Brush | 890C | 820213 | Bracket—Support | 1202A | 820702 | Screw (Brush Retainer) |
| 474A | 825577 | Alternator | 910 | 820690 | Stud (Alternator) | 1203 | 820702 | Screw (Stator Wire) |
| 475A | 825580 | Rectifier | 1010 | 825384 | Retainer—Bearing | 1204 | 820705 | Nut (Alternator Pulley) |
| 501A | 825481 | Regulator | 1090 | 825387 | Retainer—Brush | 1205 | 820707 | Screw (Brush End Housing) |
| 526 | 820702 | Screw (Rectifier) | 1119 | 820483 | Screw (Alternator) | 1206 | 820709 | Nut (Brush End Housing) |
| 530A | 825484 | Housing—Drive End | 1119A | 820270 | Screw (Alternator) | | | |
| 606 | 820819 | Strap—Adjusting | 1150 | 820023 | Screw (Adjusting Strap) | | | |
| 636 | 820069 | Nut (Starting Switch) | | | | | | |
| 652B | 820275 | Screw (Support Bracket) | | | | | | |

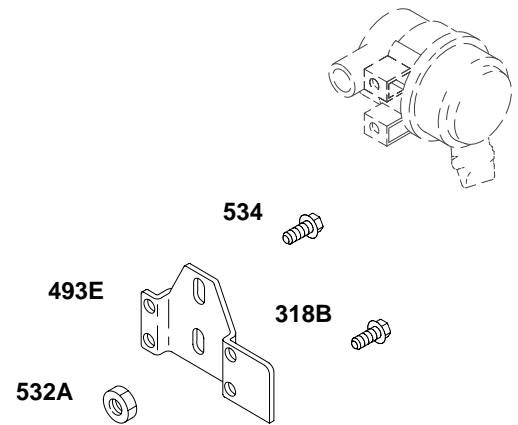
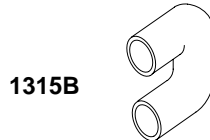
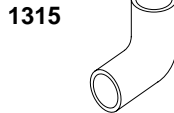
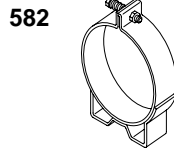
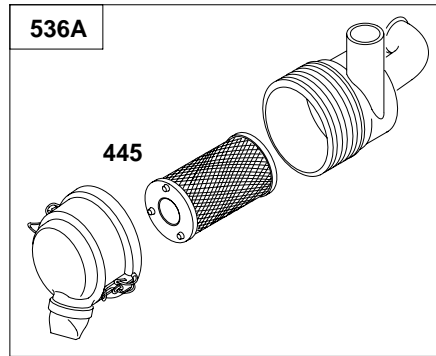
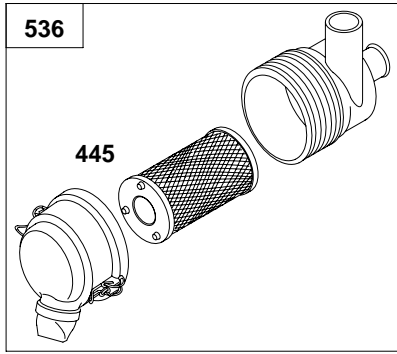
Engine Gasket Set – Reference 358
Valve Gasket Set – Reference 1095



| REF. NO. | PART NO. | DESCRIPTION | REF. NO. | PART NO. | DESCRIPTION | REF. NO. | PART NO. | DESCRIPTION |
|----------|----------|--------------------------|----------|----------|-------------------------|----------|----------|------------------------|
| 264 | 820178 | Nut (Muffler Adapter) | 622 | 820631 | Washer (Heat Shield) | 728 | 821011 | Screw (Heat Shield) |
| 300 | 825200 | Muffler | 725 | 820628 | Shield-Heat | 728A | 820431 | Screw (Heat Shield) |
| 300A | 825550 | Muffler | 725A | 820630 | Shield-Heat | 864 | 825358 | Adapter-Muffler |
| 613 | 820023 | Screw (Muffler) | 725B | 820629 | Shield-Heat | 883A | 821001 | Gasket-Exhaust |

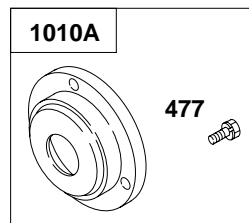
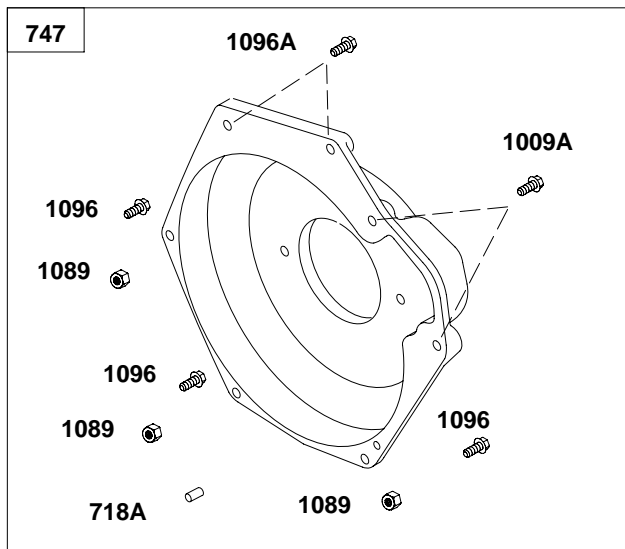
Engine Gasket Set - Reference 358
Valve Gasket Set - Reference 1095

582400

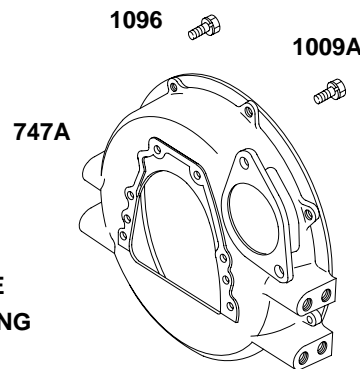
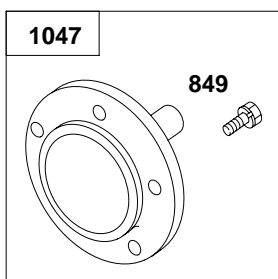
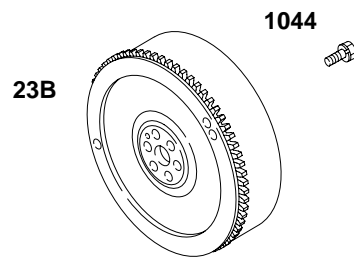


| REF. NO. | PART NO. | DESCRIPTION | REF. NO. | PART NO. | DESCRIPTION | REF. NO. | PART NO. | DESCRIPTION |
|----------|----------|-----------------------------------|----------|----------|---|----------|----------|------------------|
| 318B | 820212 | Screw (Mounting Bracket) | 534 | 820273 | Screw (Air Cleaner) | 1315 | 820554 | Hose-Air Cleaner |
| 445 | 820263 | Filter-Air Cleaner Cartridge | 536 | 825117 | Cleaner-Air (With Vacuum Adapter) | 1315A | 820555 | Hose-Air Cleaner |
| 493E | 820195 | Bracket-Mounting (Air Cleaner) | 536A | 825118 | Cleaner-Air (90 Degree Elbow With Vacuum Adapter) | 1315B | 820556 | Hose-Air Cleaner |
| 532A | 820070 | Nut (Mounting Bracket) | 582 | 820230 | Clamp-Air Cleaner | | | |

Engine Gasket Set - Reference 358
Valve Gasket Set - Reference 1095



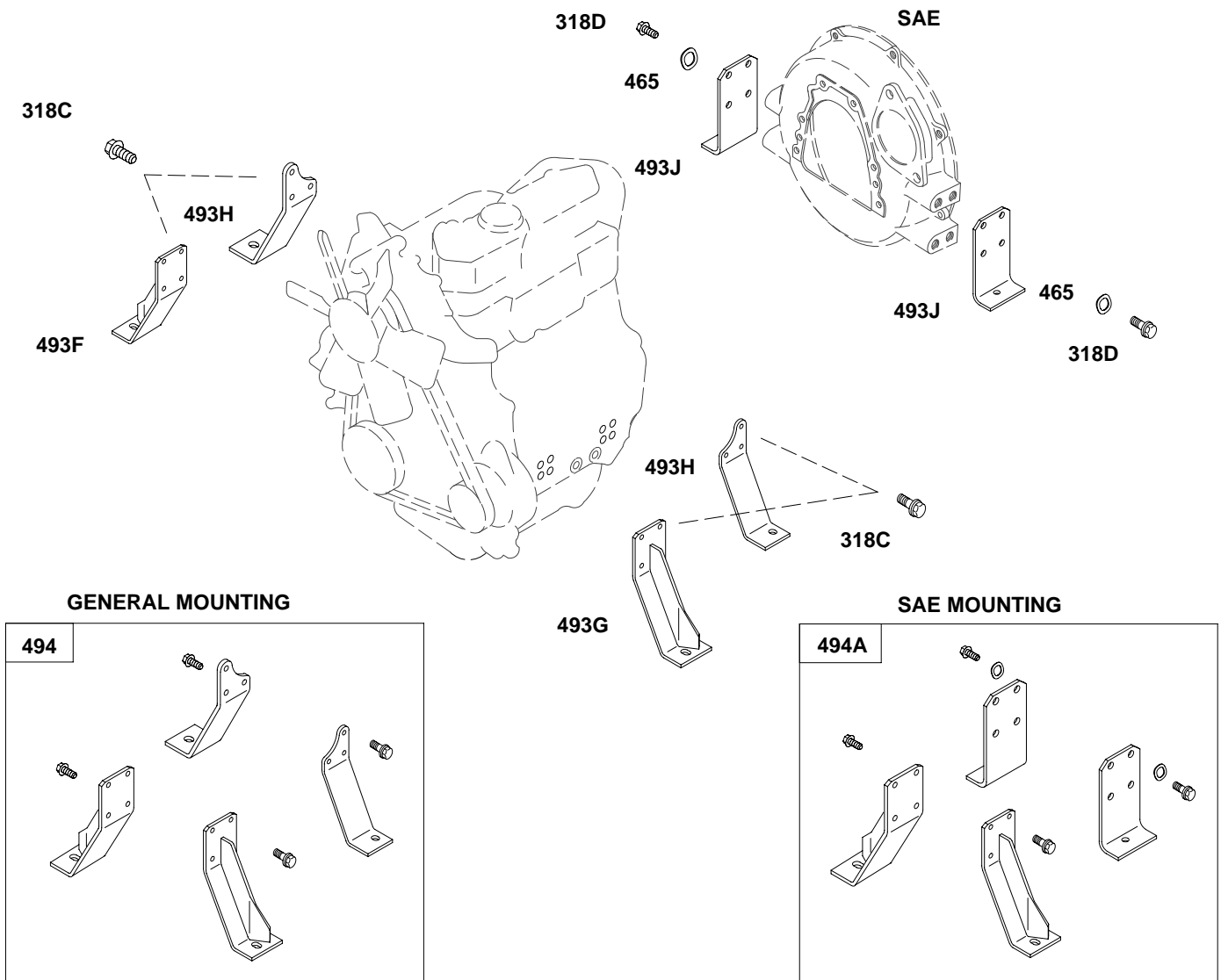
SAE
FLYWHEEL



SAE
HOUSING

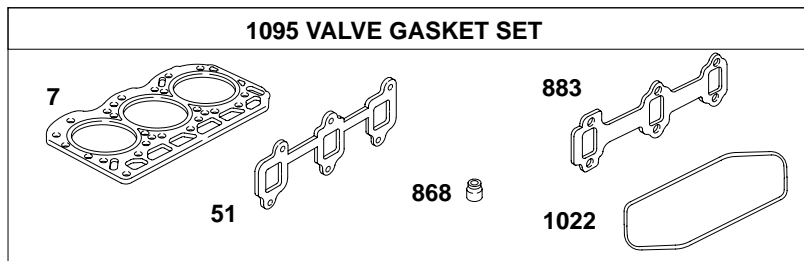
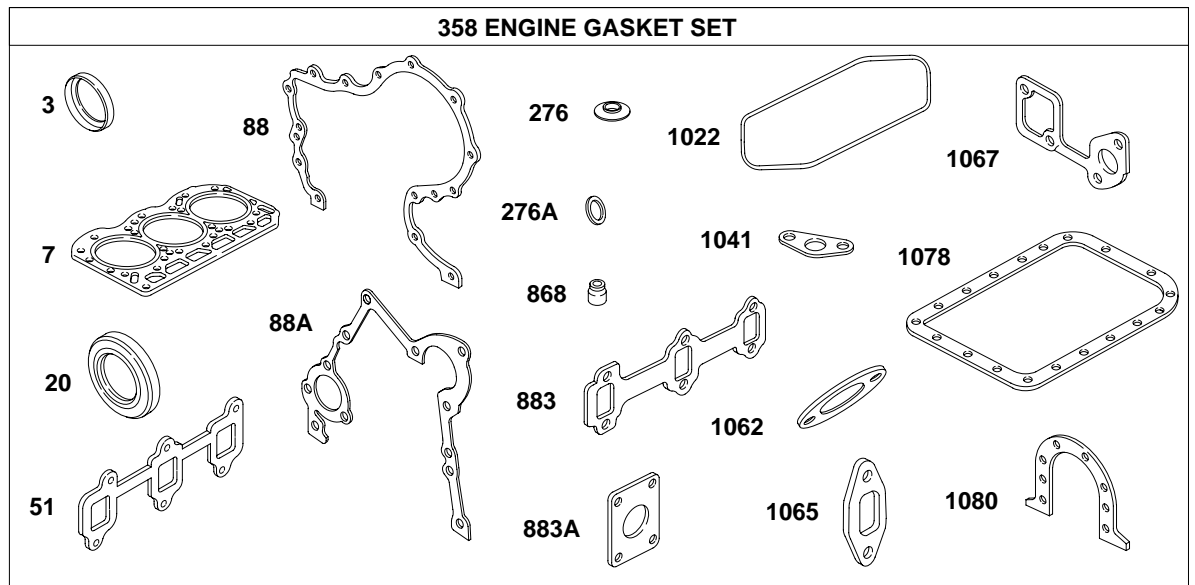
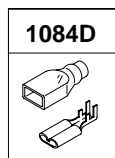
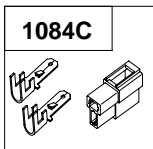
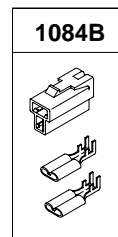
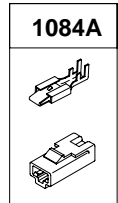
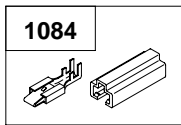
| REF. NO. | PART NO. | DESCRIPTION | REF. NO. | PART NO. | DESCRIPTION | REF. NO. | PART NO. | DESCRIPTION |
|----------|----------|--|----------|----------|--------------------------------------|----------|----------|--|
| 23B | 825071 | Flywheel | 849 | 820199 | Screw (Stub Shaft) | 1047 | 825268 | Shaft-Stub (1 1/8" Diameter Shaft) (3 3/4" Length) |
| 477 | 820199 | Screw (Bearing Retainer) | 1009A | 820451 | Screw (Starter Motor) (SAE Housings) | | | ----- Note ----- |
| 718A | 820062 | Pin-Locating | | | | | | 825078 Shaft-Stub (1 7/16" Diameter Shaft) |
| 747 | 825098 | Housing-Flywheel (KTR®) (Small Pilot, 2 Holes) | | | | | | 825123 Shaft-Stub (1" Diameter Shaft) |
| | | ----- Note ----- | 1010A | 825079 | Retainer-Bearing | | | 825269 Shaft-Stub (1 1/8" Diameter Shaft) (4 1/5" Length) |
| | | 825113 Housing-Flywheel (KTR®) | 1044 | 820080 | Screw (Flywheel) | 1089 | 820070 | Nut (Flywheel Housing) |
| 747A | 820248 | Housing-Flywheel (SAE) | | | | 1096 | 820241 | Screw (Flywheel Housing) |
| | | | | | | 1096A | 820450 | Screw (Flywheel Housing) |

Engine Gasket Set - Reference 358
Valve Gasket Set - Reference 1095



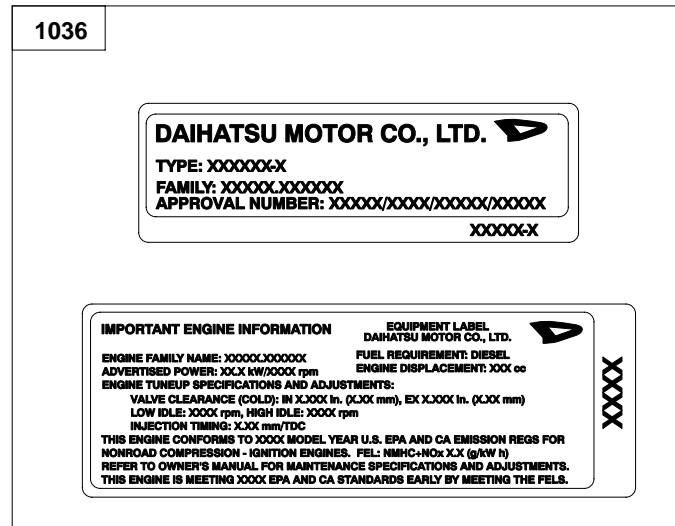
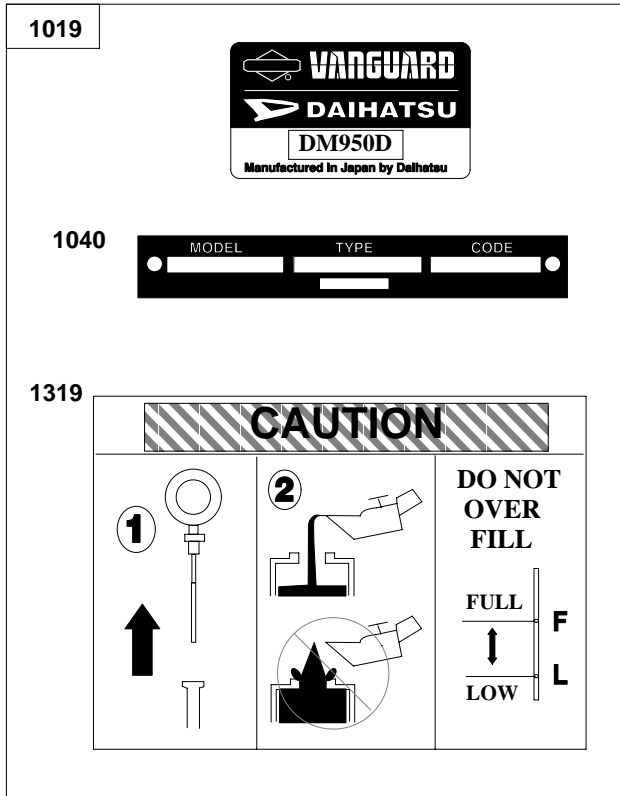
| REF. NO. | PART NO. | DESCRIPTION | REF. NO. | PART NO. | DESCRIPTION | REF. NO. | PART NO. | DESCRIPTION |
|----------|----------|--|----------|----------|--|----------|----------|------------------------------------|
| 318C | 820024 | Screw (Mounting Bracket) (Used With Engine Mounts Only) | 465 | 820449 | Washer (Mounting Bracket) | 494 | 825214 | Mount-Engine (General Mounting) |
| | | ----- Note ----- | 493F | 820835 | Bracket-Mounting (Right Front) (General and SAE) | 494A | 825215 | Mount-Engine (SAE Mounting) |
| | | 820023 Screw (Mounting Bracket) (Use Only When Front Engine Mounts And Radiator Brackets Are Installed) | 493G | 820832 | Bracket-Mounting (Left Front) (General and SAE) | | | |
| 318D | 820306 | Screw (Mounting Bracket) | 493H | 820833 | Bracket-Mounting (Rear General) | | | |
| | | | 493J | 820834 | Bracket-Mounting (Rear SAE) | | | |

Engine Gasket Set – Reference 358
Valve Gasket Set – Reference 1095



| REF. NO. | PART NO. | DESCRIPTION | REF. NO. | PART NO. | DESCRIPTION | REF. NO. | PART NO. | DESCRIPTION |
|----------|----------|--|----------|----------|--|----------|----------|--|
| 3 | 821071 | Seal-Oil (PTO Side) | 276 | 820064 | Washer-Sealing (Rocker Cover) | 1022 | 820150 | Gasket-Rocker Cover |
| 7 | 820660 | Gasket-Cylinder Head (Used After Code Date 98123100). ----- Note ----- 820351 Gasket-Cylinder Head (Used Before Code Date 99010100). | 276A | 820582 | Washer-Sealing (Oil Drain Plug) (16mm) | 1041 | 820104 | Gasket-Oil Pump Screen |
| 20 | 821073 | Seal-Oil (Magneto Side) | | | ----- Note ----- 820049 Washer-Sealing (Oil Drain Plug) (12 mm) | 1062 | 820093 | Gasket-Outlet Housing |
| 51 | 820407 | Gasket-Intake (Intake Manifold) | 358 | 825380 | Gasket Set-Engine (Used After Code Date 98123100). ----- Note ----- 825212 Gasket Set-Engine (Used Before Code Date 99010100). | 1065 | 820098 | Gasket-Inlet Housing |
| 88 | 820377 | Gasket-Gear Reduction Cover | 868 | 820405 | Seal-Valve | 1067 | 820100 | Gasket-Water Pump |
| 88A | 820155 | Gasket-Gear Reduction Cover | 883 | 820817 | Gasket-Exhaust | 1078 | 820137 | Gasket-Oil Pan |
| | | | 883A | 821001 | Gasket-Exhaust | 1080 | 820145 | Gasket-Retainer |
| | | | | | | 1084 | 825154 | Connector-Terminal |
| | | | | | | 1084A | 825266 | Connector-Terminal |
| | | | | | | 1084B | 825157 | Connector-Terminal |
| | | | | | | 1084C | 825156 | Connector-Terminal |
| | | | | | | 1084D | 825160 | Connector-Terminal |
| | | | | | | 1095 | 825381 | Gasket Set-Valve (Used After Code Date 98123100). ----- Note ----- 825213 Gasket Set-Valve (Used Before Code Date 99010100). |

Engine Gasket Set - Reference 358
Valve Gasket Set - Reference 1095



1058 OPERATOR'S MANUAL

1330 REPAIR MANUAL

| REF. NO. | PART NO. | DESCRIPTION | REF. NO. | PART NO. | DESCRIPTION | REF. NO. | PART NO. | DESCRIPTION |
|----------|----------|-------------|----------|----------|--|----------|----------|---|
| 1019 | 825649 | Kit-Label | 1036 | | Label-Emissions (Available from Authorized Briggs & Stratton Dealer) | 1040 | 820290 | Plate-Trim |
| | | | | | | 1058 | 820853 | Operator's Manual |
| | | | | | | 1319 | 821160 | Label-Warning |
| | | | | | | 1330 | MS1055 | Repair Manual (Refer to Repair Manual For Assembly and Torque Requirements) |

Engine Gasket Set - Reference 358
Valve Gasket Set - Reference 1095

AAN: ALLE GEAUTORISEERDE DEALERS
 ONDERWERP: Roken ten gevolge van het gebruik van verkeerde
 luchtfilter tijdens onderhoud
 MODELLEN: Vanguard "Small Block" V-Twin motoren - Modellen 29,
 30, 35, 38

Nr: 725
 DATUM: 10/05
 BEWAREN IN: Bulletin Map

OMSTANDIGHEDEN:

Rijk draaien en zwarte rook die optreedt bij betreffende motoren, kort nadat de luchtfilter is vervangen.

MOGELIJKE OORZAKEN:

Verkeerde luchtfilter gemonteerd tijdens motoronderhoud.

Luchtfilters zijn niet uitwisselbaar tussen de Vanguard "small-block" v-twin motoren. Merk op dat de buitendiameter verschilt naar gelang het onderdeelnummer.

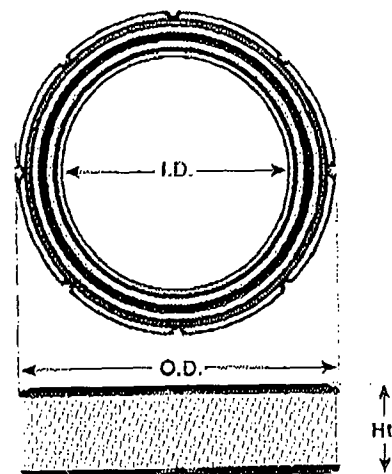
INSPECTIE / REPARATIE:

Verwijder het luchtfilterdeksel en inspecteer de luchtfilter op de juiste buitendiameter afmeting en kleur van de afdichting. Raadpleeg de schema's hieronder en de Geïllustreerde Onderdelenlijst voor de motor om te verzekeren dat de juiste filter wordt gemonteerd.

| Filter artikel no.: | Buitendiam. (OD) | Binnendiam. (ID) | Hoogte (Ht.) |
|---------------------|---------------------|---------------------|-----------------|
| 394018S blauw | 181 mm | 140 mm | 57 mm |
| 5050D blauw | 181 mm | 140 mm | 57 mm |
| 5119A blauw | 181 mm | 140 mm | 57 mm |
| 841359 zwart | 181 mm | 140 mm | 57 mm |
| 692519 zwart | 198 mm | 140 mm | 57 mm |
| 5120A blauw | 198 mm | 140 mm | 57 mm |



(Merk verschillende buitendiameter op)



| Model series | Filter 394018S Blauw | Filter 841359 Zwart | Filter 692519 Zwart | Voorfilter 272490S | Voorfilter 692520 | Bliester 5050D Blauw | Serv.set 5119A Blauw | Serv.set 5120A Zwart |
|--------------|----------------------------|---------------------------|---------------------------|-----------------------|----------------------|----------------------------|----------------------------|----------------------------|
| 290400 | x | | | x | | x | x | |
| 290700 | x | | | x | | x | x | |
| 294400 | x | | | x | | x | x | |
| 294700 | x | | | x | | x | x | |
| 295400 | x | | | x | | x | x | |
| 295700 | x | | | x | | x | x | |
| 303400 | x | | | x | | x | x | |
| 303700 | x | | | x | | x | x | |
| 304400 | | x | | x | | | | |
| 305400 | x | | | x | | x | x | |
| 305700 | x | | | x | | x | x | |
| 309400 | x | | | x | | x | x | |
| 350400 | x | | | x | | x | x | |
| 350700 | x | | | x | | x | x | |
| 351400 | x | | | x | | x | x | |
| 351700 | x | | | x | | x | x | |
| 354400 | | x | | x | | | | |
| 356400 | x | | | x | | x | x | |
| 356700 | x | | | x | | x | x | |
| 358700 | | | x | | x | | | x |
| 359400 | | x | | x | | | | |
| 359700 | | x | | x | | | | |
| 380400 | | | x | | x | | | x |
| 380700 | | | x | | x | | | x |
| 381400 | | | x | | x | | | x |
| 381700 | | | x | | x | | | x |
| 384400 | | x | | x | | | | |
| 385400 | | | x | | x | | | x |
| 385700 | | | x | | x | | | x |
| 386400 | | | x | | x | | | x |
| 386700 | | x | | x | | | | |
| 389400 | | x | | x | | | | |

* Filter 841359 wordt momenteel niet geleverd als DHZ of Onderhoudsset nummer

GARANTIE:

Problemen die veroorzaakt zijn door gebruik van een verkeerde luchtfilter worden niet door garantie gedekt.

BRIGGS & STRATTON CORPORATION
Distribution Sales & Customer Support